

LIGHT NEODYMIUM  
COMPONENTS



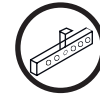
CARBON FIBER  
CONE



MULTIPLE  
PRESETS  
AVAILABLE



HIGH RESISTANCE  
POLYUREA® PAINT



ACCESSORIES FOR  
EASY INSTALLATIONS

A new standard in high-fidelity, ultra-compact audio installation. 2x 6" custom design drivers deliver incredible sound quality and 121 dB continuous SPL, for power levels and signal coverage far in excess of its discrete dimensions.

## KEY FEATURES

### TRANSDUCERS TECHNOLOGY

Two-way full range active speaker system composed by two direct radiating 1,5-inch voice coil, neodymium magnet 6" loudspeakers and one 1-inch voice coil diameter, titanium diaphragm neodymium magnet tweeter.

### AMPLIFICATION

450 W 3rd generation Class D built-in amplifier controlled by a dedicated DSP.

90% efficiency amplifier SMPS (switching mode power supply), allowing maximum power delivery with minimum consumption in an extremely low-weight and reduced size.

Rear connections and control panel with LCD screen to display the different settings, presets, volume and adjustments done by the user. Our SensitiveTouch® capacitive sensor keypad guarantees the reliability of the system even under humidity and extreme weather conditions.

Connectors are placed on an inclined plane to effectively protect them against rain or moisture.

Double PowerCon® (input & link).

### DSP & CONTROL

Internal DSP with all necessary signal processing (crossovers, EQ's, delay, limiter, gain control, mute, input dynamic compressor) as well as several useful presets to adjust N26 to different requirements.

The on-screen output power display and the front NITID backlight help to easy monitor the system. The backlight can be switched on or off, or set to indicate when the system is limiting.

ALC (Adaptative Loudness Compensation) to improve the listening experience when the cabinet is used at low musical levels.

ECO Mode available.

5-band EQ menu with five equalizers.

### DESIGN & ACCESSORIES

Ergonomic handle for an easy handling.

1,5mm speaker grille with black mesh, exclusively designed with an optimum perforation gradient and attractive appearance.

Multilayer birch plywood cabinet with Polyurea® coating, offering maximum reliability and strength for touring as well as for high demanding applications.

M8 rigging points for easy flying.

35mm diameter pole mount socket mounted on the bottom side, for a standard tripod.

## TECHNICAL FEATURES

Amplifier (program)	400 W (LF) + 50 W (HF) Class D Bi-amplified
Input Sensitivity	8 dBu – 1.94 V
Input Impedance	20 kΩ Balanced
Maximum input level	20 dBu
Mains	Universal Switch Mode Power Supply 85-265 V / 45-65 Hz
Average current draw	0.7 A (Heavy duty musical program)
SPL (1 m)	121 dB continuous musical program, 124 dB peak
Built-in DSP	48-bit processing unit. Includes factory presets
AD/DA converters	24 bit – 48 kHz
Standby mode consumption	< 5 W
Adjustable delay line	118 ms / 40 m
Crossover frequency	2k9 Hz
Frequency response (-10 dB)	58 Hz - 20 kHz
Components	LF - MF 2x 6" neodymium woofers with carbon fiber cone (1.5" voice coil) HF 1" titanium diaphragm neodymium tweeter
Directivity (HxV)	90° x 70°
Directivity factor (Q)	12.6
Directivity Index (DI)	11 dB
Weight	10 kg
Dimensions (HxWxD)	534 x 250 x 258 mm
Finish	Multilayer birch plywood with high resistant black Polyurea® coating
Grille	1.5 mm steel with black acoustic mesh
Rigging	M8 points
Connectors	1x XLR input / 1x XLR link / 1x AC PowerCon® input / 1x AC PowerCon® link
Available colors	Black and white



## CONTROL PANEL

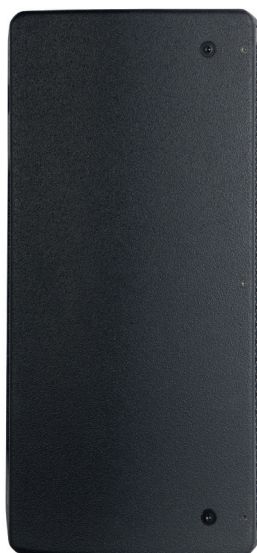
Our latest digital signal processing (DSP) is integrated with 3rd generation Class D amplification and operated via our dedicated SensitiveTouch™ keypad technology. With no mechanical components or moving parts, the SensitiveTouch™ capacitive sensor keypad is highly responsive, weatherproof and durable compared with conventional electronic controls and effectively failsafe. With the SensitiveTouch™ keypad and display, you can set-up the N26 in just seconds.



TOP VIEW



BOTTOM VIEW



SIDE VIEW

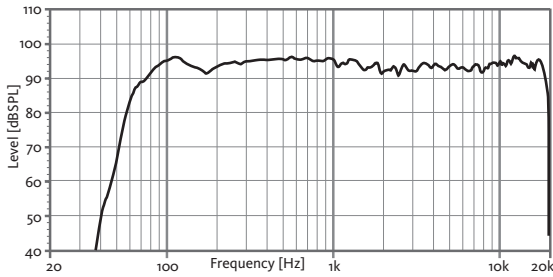


FRONT VIEW

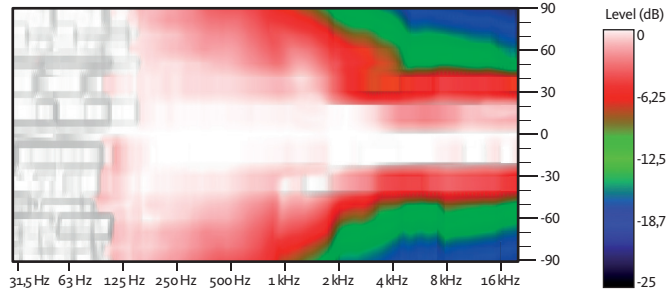


REAR VIEW

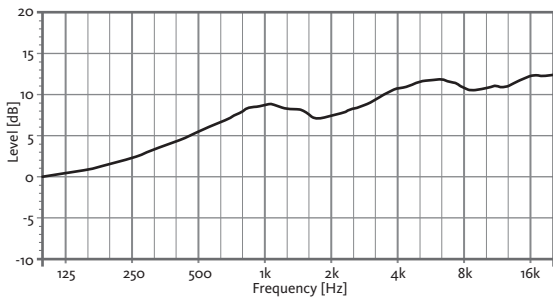
### FREQUENCY RESPONSE 1w/1m (FLAT PRESET)



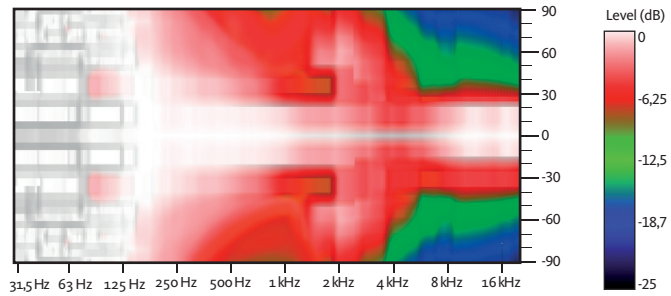
### HORIZONTAL COVERAGE



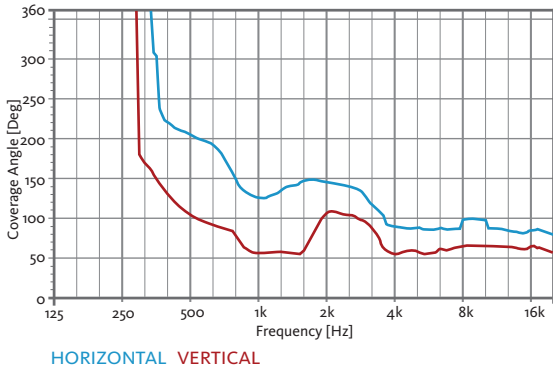
### DIRECTIVITY INDEX (DI)



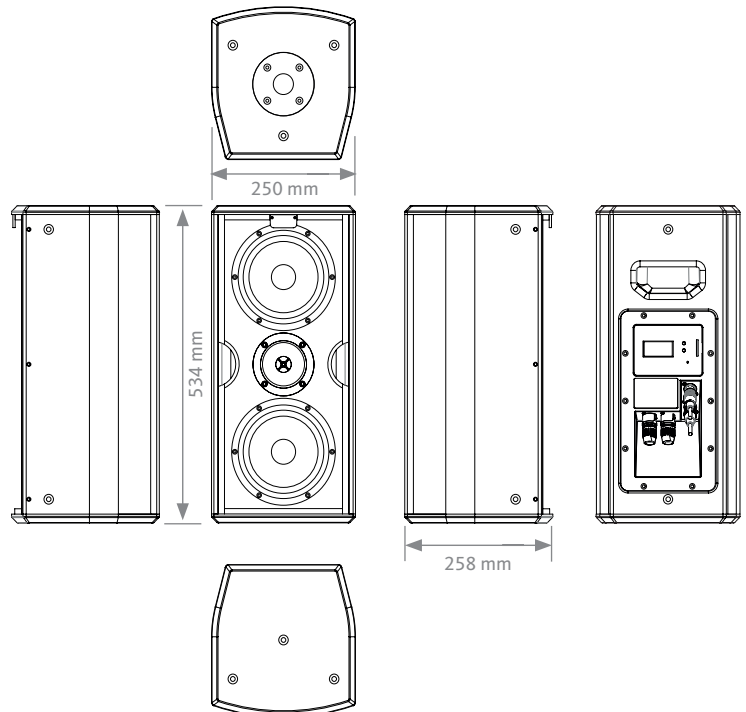
### VERTICAL COVERAGE



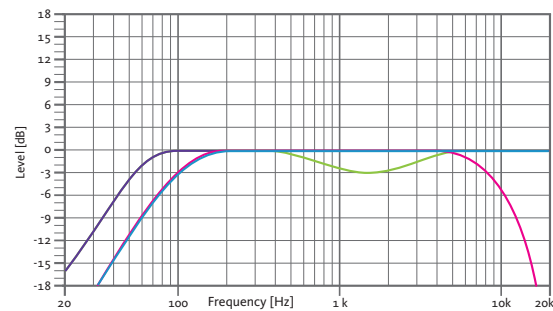
### HORIZONTAL & VERTICAL BEAMWIDTH (-6dB point)



### CAD DRAWING SCHEME



### BUILT-IN PRESETS



**FLAT**

Flat response

**NEARFIELD**

-3 dB mid frequencies  
(400 Hz – 4 kHz)

**SPEECH**

HPF 100 Hz  
LPF 8 kHz

**XOVER**

HPF 100 Hz



**ACCESSORIES**

**FLIGHT CASE**

**FC-N26**

for four units of N26



**TRANSPORT COVER**

**NC-N26**



**WALL MOUNT BRACKET**

**UB-L**



**FLYING BAR**

**HR-C**



**FLYING BAR WITH HOOK**

**HR-C/GT**



**TELESCOPIC DISTANCE ROD**

**SP-CRTL**

ø: 35 mm  
Length:  
55 cm ~ 90 cm  
Thread: M20



**SAFETY SLING**

**SC-15**



**M8 RIGGING EYEBOLT**

**ACR-M8**



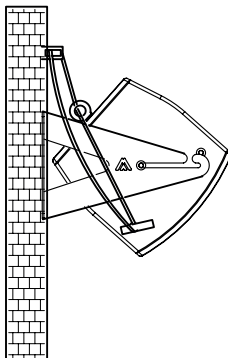
**WALL MOUNT BRACKET**

**SP-26N**



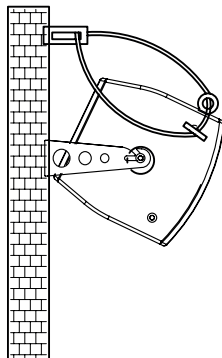
**HORIZONTAL WALL-MOUNT**

UB-L + SC-15



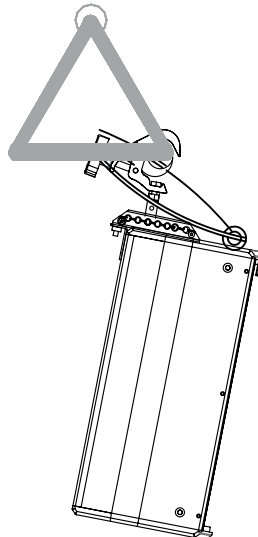
**HORIZONTAL WALL-MOUNT**

SP-26N + SC-15



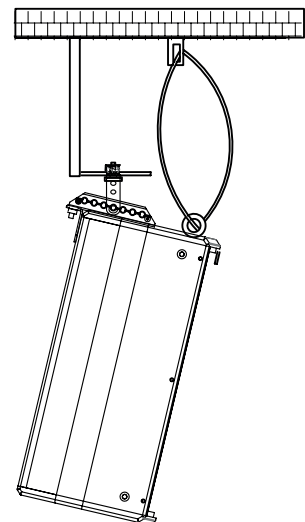
**VERTICAL TRUSS-MOUNT**

HR-C/GT + SC-15



**VERTICAL COLUMN-MOUNT**

HR-C + SC-15



**DISCOVER NÍTiD**

**UNIQUE DESIGN**

Distinguishing details include the speaker grille, exclusively designed for an attractive appearance, maximum protection, and with **the best perforation coefficient in the market, for improved sound quality**. The Polyurea® finish offers durable protection for the birch-ply cabinet, and electronic circuits and controls are smartly protected against moisture. A wide range of accessories is provided for whatever your application is.



**THE PERFECT BALANCE**

NÍTiD series is the culmination of an intensive program of research, development and optimization, to achieve the greatest possible power and performance from the most compact sized cabinet. Every aspect of its form factor has resulted from examination and consideration of optimum acoustic response, ergonomics, construction and appearance.



**AMAZING PERFORMANCE**

The integrated 'plug & play' active power and control system includes DSP presets for rapid setup and amazing sound, and the comprehensive control interface includes instantly recallable presets for setting up the NÍTiD in just a few seconds. The accurate match between transducers, DSP and amplifiers provide a fully optimized system for the most demanding applications.

