



*Great sound
from Barcelona
since 1972*

www.amateaudio.com

**User's manual
Manual de usuario**

Passive Disco systems

September 2016

Excellence

Amate Audio S.L.

EXPORT & CUSTOMER SERVICE
Perpinyà, 25 · Polígon Industrial Nord
08226 Terrassa · Barcelona – SPAIN
T. +34 93 735 65 65
export@amateaudio.com

R&D, FACTORY AND MANAGEMENT
Violinista Vellsolà, 18
08222 Terrassa · Barcelona – SPAIN
T. +34 93 736 23 90
info@amateaudio.com

ENGLISH

1. INTRODUCTION

1.1. General product information

Amate Audio thanks you for the trust placed in our Xcellence passive loudspeaker systems. We suggest you read the following information with attention, assured that it will be of maximum use in helping you to achieve the best results and optimum performance.

1.2. Features and presentation

X15D

- Two-way full-range passive acoustic system
- 2000W program power
- Sensitivity 1W/1m: 99dB
- 15" neodymium woofer with 3,5" voice coil
- 2.5" titanium diaphragm neodymium driver (1.4" exit)
- 60° x 50° rotatable horn

X18D Subwoofer

- Passive subwoofer acoustic system.
- 3200W program power
- Sensitivity 1W/1m: 98dB
- 18" neodymium woofer with 4" voice coil

X21D Subwoofer

- Passive subwoofer acoustic system.
- 3600W program power
- Sensitivity 1W/1m: 98dB
- 21" neodymium woofer with 5.3" voice coil

X218D Subwoofer

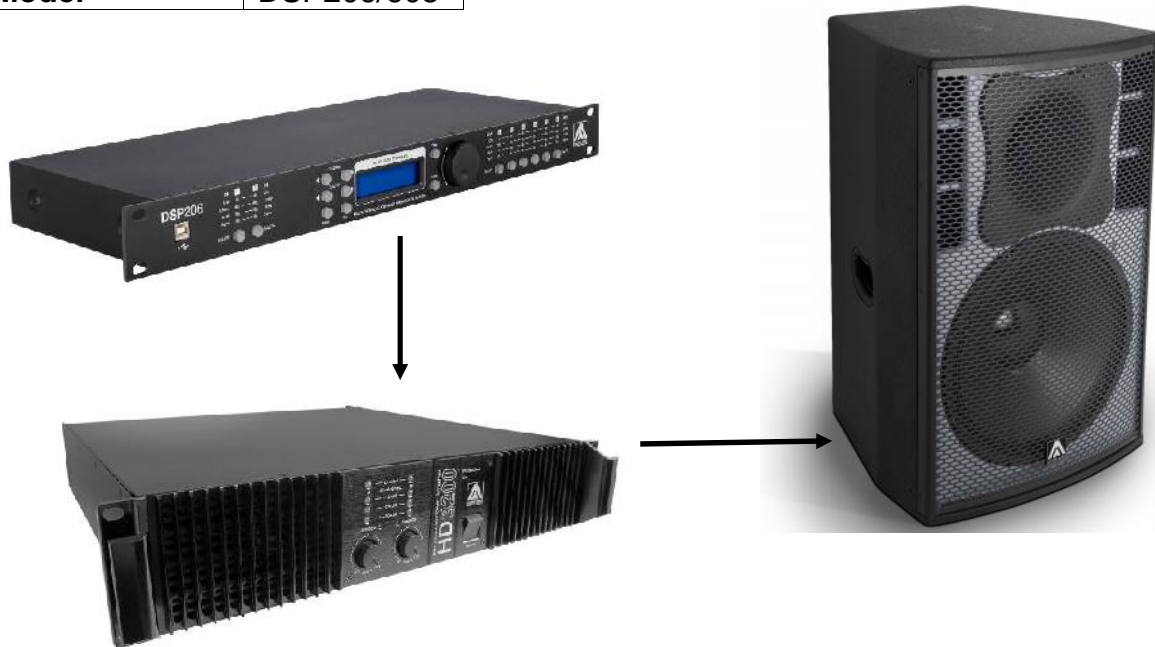
- Passive subwoofer acoustic system.
- 6800W program power
- Sensitivity 1W/1m: 101dB
- 2x18" neodymium woofers with 4.5" voice coil

2. X15D FEATURES

The X15D cabinet is ideal for a multitude of applications. The manufacturer recommended presets FLAT, NEARFIELD, NEARFIELD+, SPEECH and XOVER make it easy, flexible and user-friendly. The result is a clean, high quality sound whether for nearfield listening or at full power in larger sites. The lower surface incorporates a pole mount socket for a standard 35mm tripod.

To optimise and align the system we offer some customized **DSP206/608 presets**, to be played with our **HD3200 amplifier**, making a system difficult to match.

Model	DSP206/608
--------------	------------



Model	HD3200	
Mode	Stereo	Stereo
Impedance	8	4
Program power	1000W	1750W

Model	X15D
Impedance	8

Fig.1. X15D main connections

2.1. Technical description

The X15D cabinet comes with full-range sound delivery thanks to its direct radiation transducer and acoustic bass reflex cabinet. As a full range system, its response is 44Hz-19kHz (-10dB).

The external DSP can be uploaded with several recommended factory presets. The FLAT preset gives a maximum flat response in free field conditions; NEARFIELD has -3dB in mid range (800Hz-3kHz) for medium volume, close range listening; NEARFIELD+ has -3dB in mid range (200Hz-3kHz) for medium volume, close range listening; SPEECH has -6dB bass, -6dB high for voice use with a microphone; XOVER has a high pass filter at 100Hz for bass frequency back up (subwoofer).

The X15D cabinet is connected using Neutrik® Speakon connectors. It is built in birch plywood, which has a high resistance to vibrations and humidity with black and grey Polyurea paint coating. The front face is protected by a 1.5 mm thick steel grille. It includes two in-built lateral handles for an easy and comfortable transport.

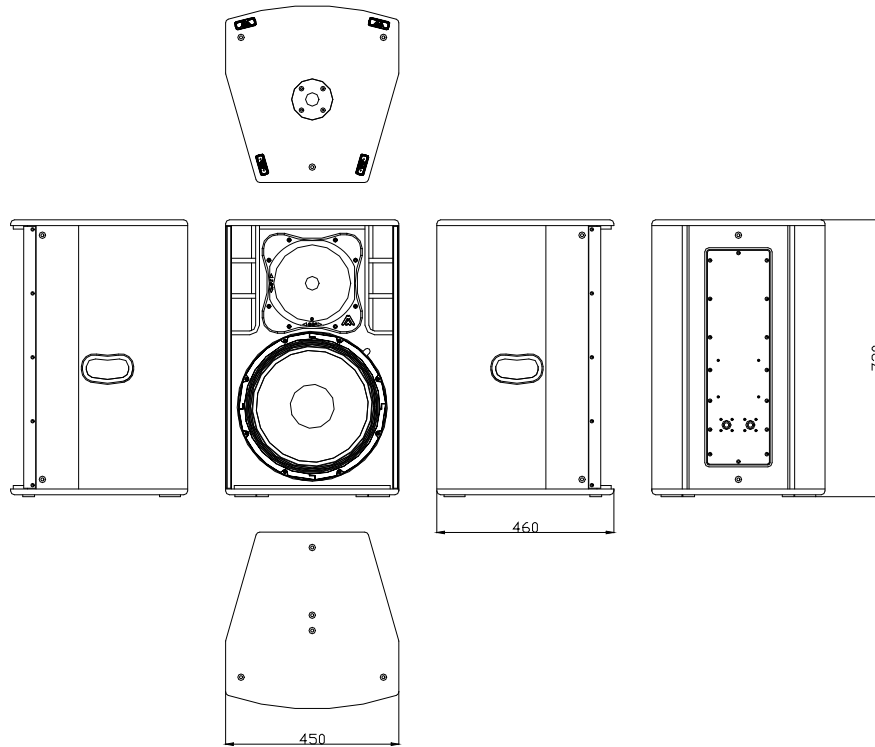


Fig.2. X15D external dimensions

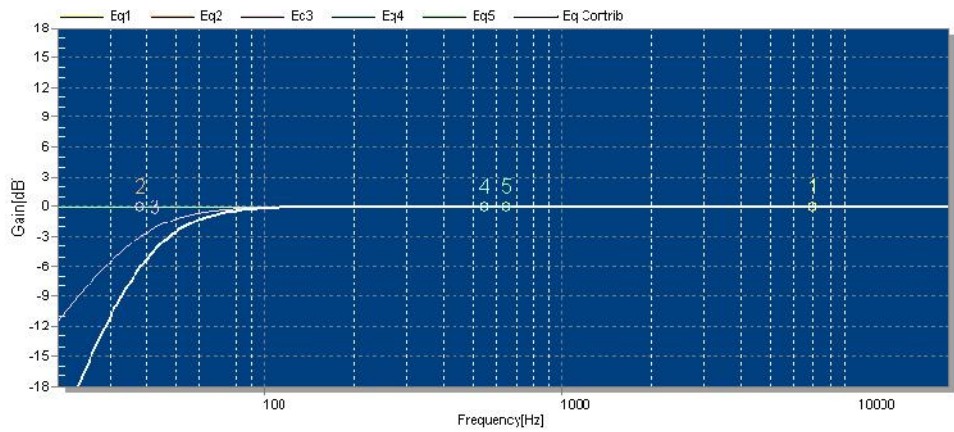
2.2. Recommended presets for X15D

The X15D can be used with an external DSP206/608 (digital signal processor).

FLAT

Flat response

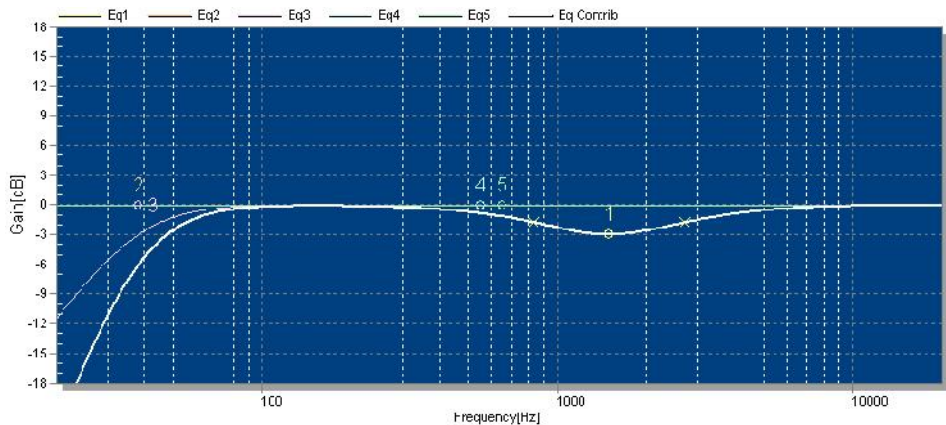
- Standard preset



NEARFIELD

-3dB mid frequencies (800Hz-3kHz)

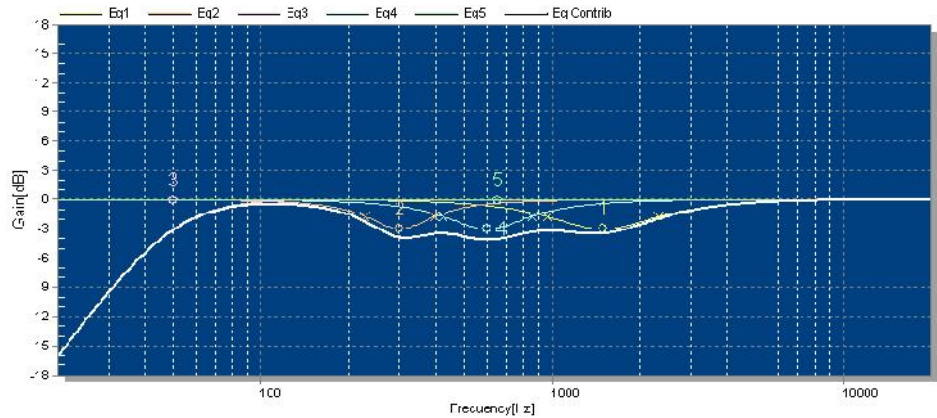
- Small venues
- Medium level
- Short-medium distance



NEARFIELD+

-3dB mid frequencies
(200Hz-3kHz)

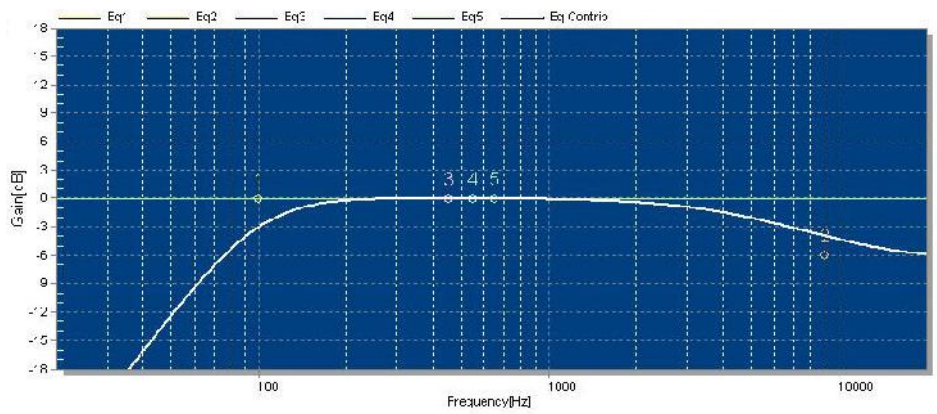
- Small venues
- Medium level
- Short distance



SPEECH

-6dB Low
-6dB High

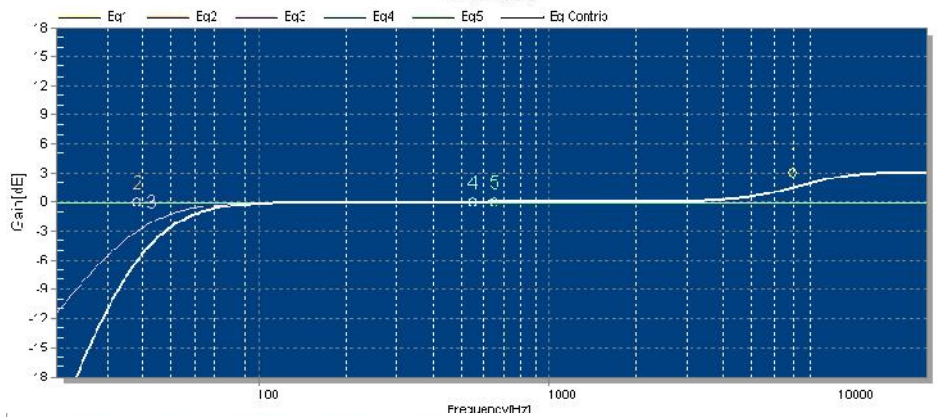
- Microphone use
- No matter level or distance



DISCO

+3dB very High

- Disco use



XOVER

HPF 100Hz

- use with subwoofer

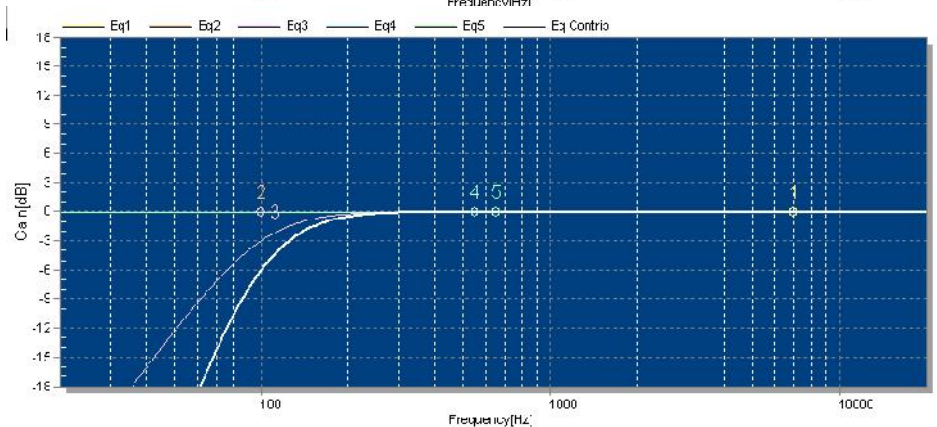


Fig.3. Recommended PRESETS for X15D

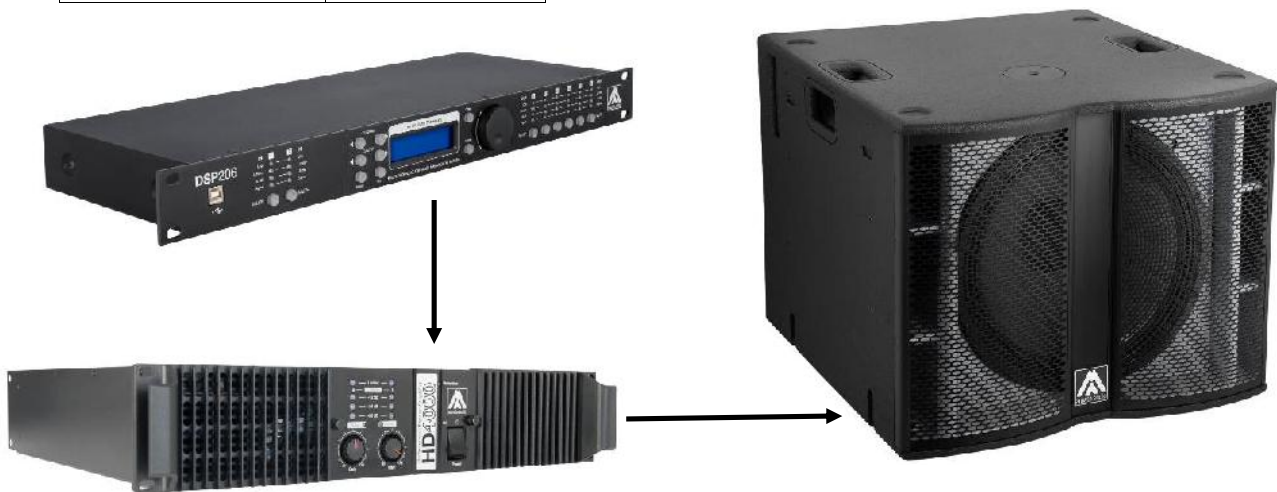
3. X18D FEATURES

The X18D cabinet is ideal for bass reinforcement in general and specifically in combination with X15D models. The recommended manufacturer presets (LPF80+3, LPF80+6, LPF90+3, LPF90+6, LPF100+3, LPF100+6, LPF110+3, LPF110+6, LPF120+3, LPF120+6, CARD80, CARD90, CARD100, CARD110, CARD120) make it easy, flexible and user-friendly.

The 18” neodymium woofer used, thanks to its exclusive magnetic design, combines excellent bass frequency response, high performance and low distortion. There is excellent heat dissipation due to the external positioning of the magnet set. Without any doubt one of the finest bass transducers currently available. The result is a clean, high quality sound.

The upper surface incorporates a pole mount socket for a standard 35mm bar.

Model	DSP206/608
--------------	------------



Model	HD4000
Mode	Bridge
Impedance	4
Program power	4000W

Model	X18D
Impedance	4

Fig.4. X18D main connections

3.1. Technical description

The X18D cabinet comes with direct radiation transducer and acoustic bass reflex cabinet. As a bass reinforcement system, its frequency response is 32Hz-130Hz (-10dB).

The external DSP can be uploaded with several recommended factory presets. The LPF80+3 preset means low pass filter at 80Hz and +3dB boost at 50Hz; LPF80+6 means low pass filter at 80Hz and +6dB boost at 50Hz; LPF90+3 means low pass filter at 90Hz and +3dB boost at 50Hz; LPF90+6 means low pass filter at 90Hz and

+6dB boost at 50Hz; LPF100+3 means low pass filter at 100Hz and +3dB boost at 50Hz; LPF100+6 means low pass filter at 100Hz and +6dB boost at 50Hz; LPF110+3 means low pass filter at 110Hz and +3dB boost at 50Hz; LPF110+6 means low pass filter at 110Hz and +6dB boost at 50Hz; LPF120+3 means low pass filter at 120Hz and +3dB boost at 50Hz; LPF120+6 means low pass filter at 120Hz and +6dB boost at 50Hz, CAR80/90/100/110/120 means cardioid polar pattern when used in combination with two other X18D subwoofers.

By increasing the low pass filter a greater 'punch' sensation can be achieved, but clarity is lost. It is down to the user to decide on the most suitable preset.

The X18D is connected using Neutrik® Speakon connectors.

It is built in birch plywood, which has a high resistance to vibrations and humidity with black and grey Polyurea paint finish. The front face is protected by two 1.5 mm thick steel grilles. The X18D includes two in-built top handles for an easy and comfortable transport.

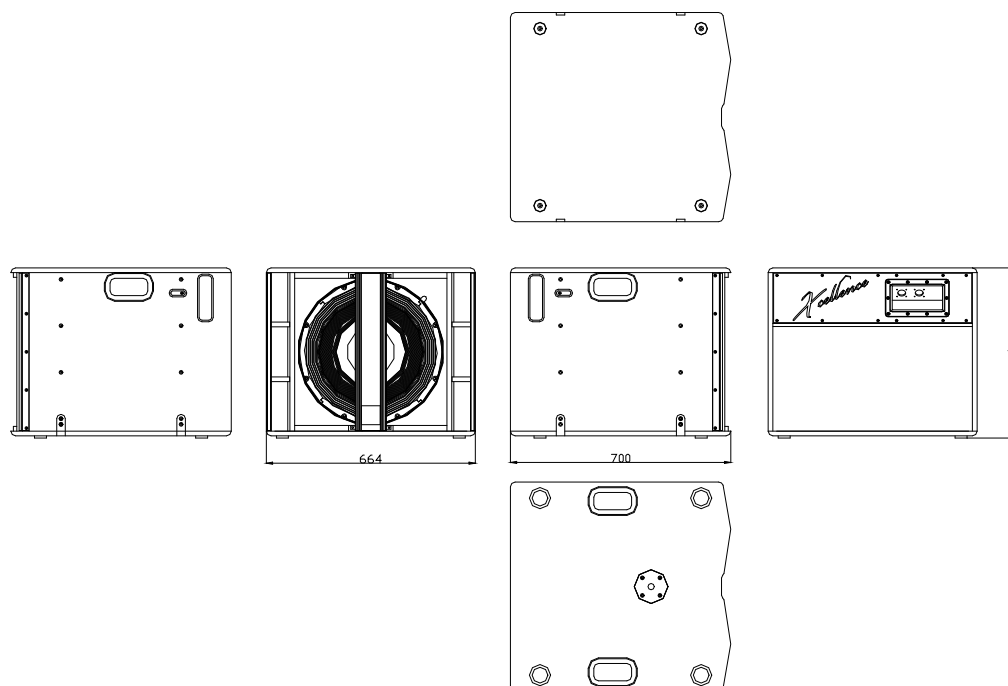


Fig.5. X18D external dimensions

3.2. Recommended presets for X18D

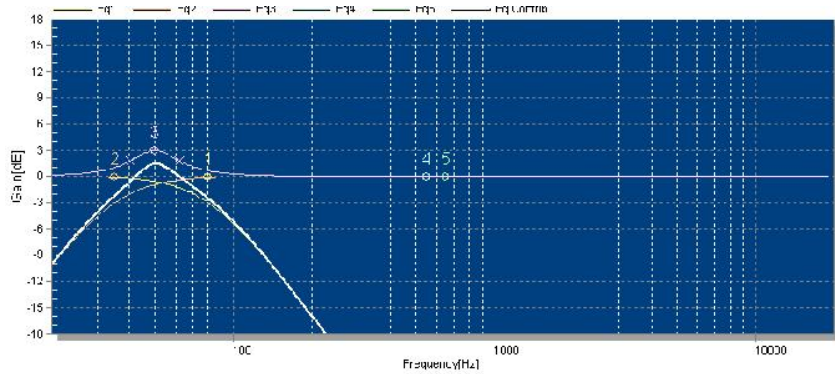
The X18D can be used with an external DSP206/608 (digital signal processor).

ATTENTION: When the X18D is used in conjunction with X15D in XOVER preset, the X18D must operate in positive polarity.

When the X18D is used in conjunction with X15D in FLAT, NEARFIELD, NEARFIELD+, SPEECH presets, the X18D must operate in negative polarity.

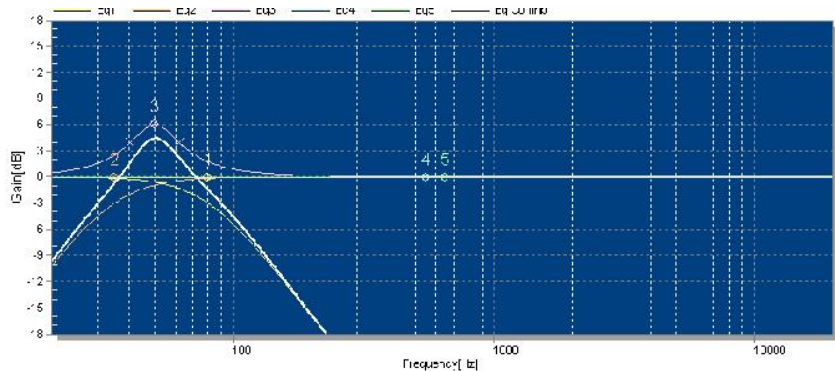
LPF80+3

Low pass filter
at 80Hz
with +3dB boost
at 50Hz



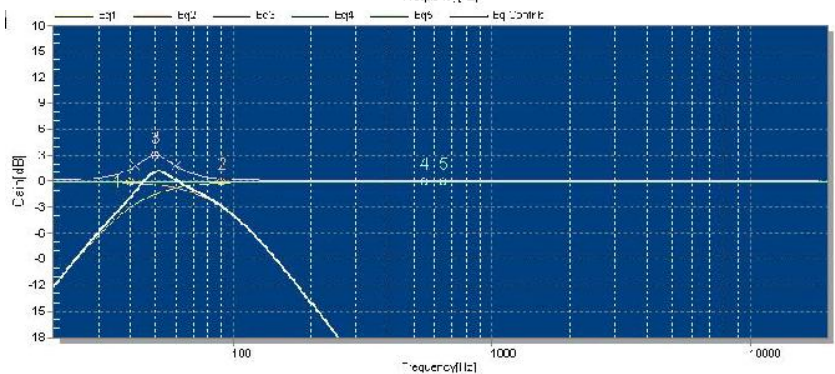
LPF80+6

Low pass filter
at 80Hz
with +6dB boost
at 50Hz



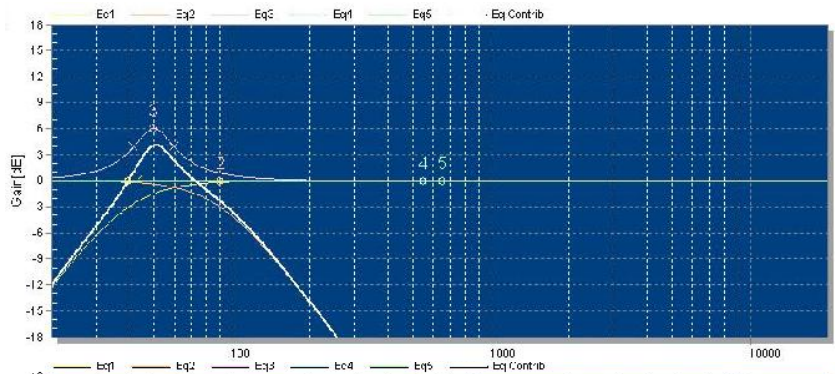
LPF90+3

Low pass filter
at 90Hz
with +3dB boost
at 50Hz



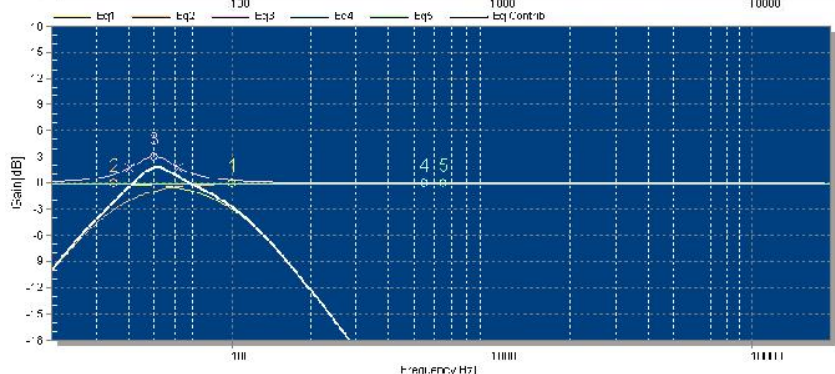
LPF90+6

Low pass filter
at 90Hz
with +6dB
boost at 50Hz



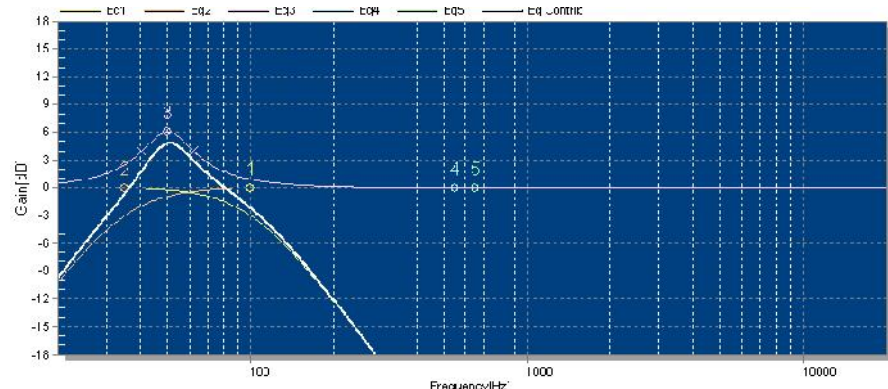
LPF100+3

Low pass filter
at 100Hz
with +3dB boost
at 50Hz



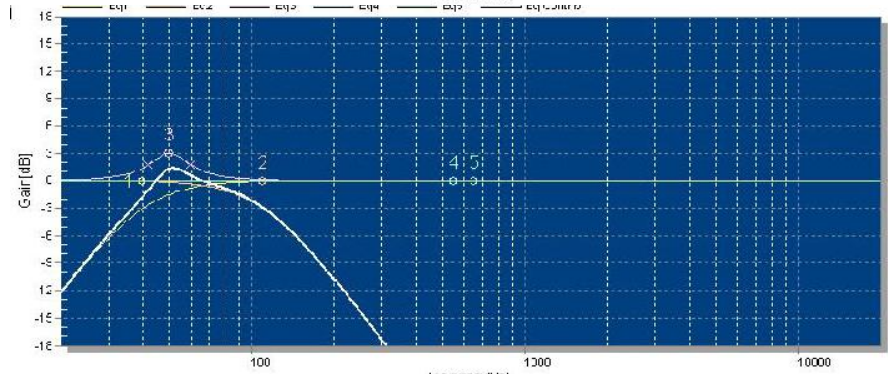
LPF100+6

Low pass filter
at 100Hz
with +6dB boost
at 50Hz



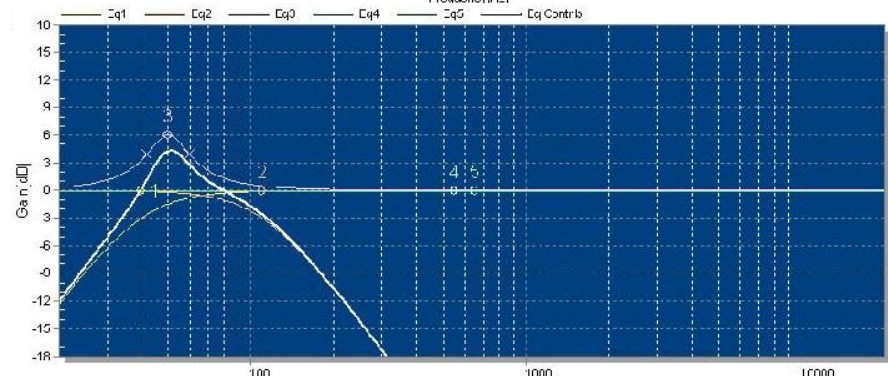
LPF110+3

Low pass filter
at 110Hz
with +3dB
boost at 50Hz



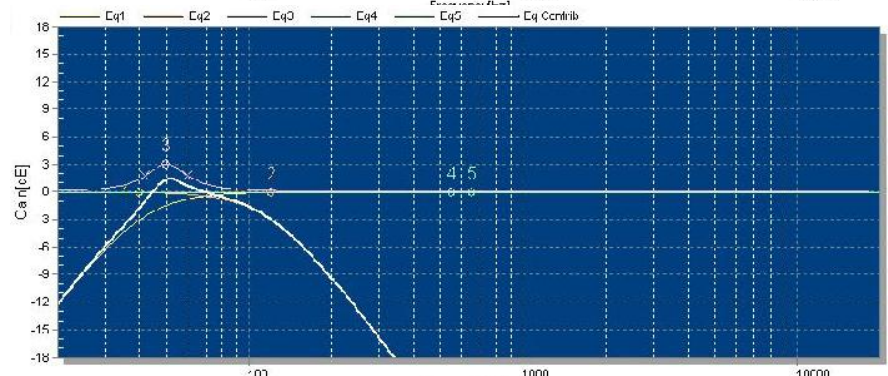
LPF110+6

Low pass filter
at 110Hz
with +6dB
boost at 50Hz



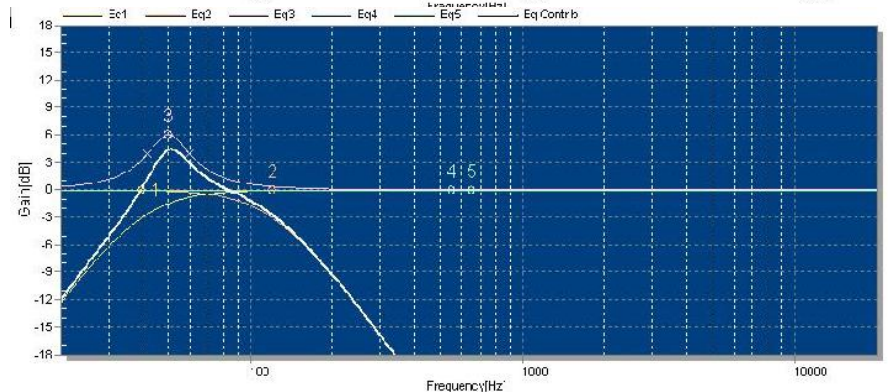
LPF120+3

Low pass filter
at 120Hz
with +3dB
boost at 50Hz



LPF120+6

Low pass filter
at 120Hz
with +6dB
boost at 50Hz



CARD80/90/100/110/120

(Cardioid polar pattern, with processing, delay and inverse polarity)

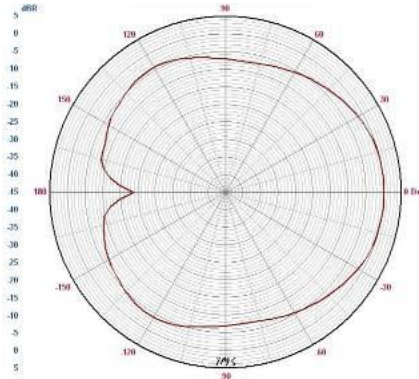


Fig.6. Recommended PRESETS for X18D

4. X218D FEATURES

The X218D cabinet is ideal for bass reinforcement. The recommended manufacturer presets (LPF90, LPF90+3, LPF100, LPF100+3, LPF110, LPF110+3, LPF80, LPF80+3, CARD90, CARD100, CARD110) make it easy, flexible and user-friendly. The 18” neodymium woofers used, thanks to their exclusive magnetic design, combine excellent bass frequency response, high performance and low distortion. These features are mainly due to the presence of demodulation rings which drastically reduce the inter-modulation and third order distortion and considerably improve the transitory response. There is excellent heat dissipation due to the external positioning of the magnet set. Without any doubt one of the finest bass transducers currently available. The result is a clean, high quality sound. The upper surface incorporates a M10 socket for a stacking frame (FR-X210, FR-X208).

Model	DSP206/608
--------------	------------



Model	HD4000
Mode	Bridge
Impedance	4
Program power	4000W

Model	X218D
Impedance	4

Fig.7. X218D main connections

4.1. Technical description

The X218D cabinet comes with acoustic bass-reflex cabinet. As a bass reinforcement system, its usable bandwidth is 28Hz-120Hz (-10dB). The recommended presets are as follows: LPF90 preset means low pass filter at 90Hz; LPF90+3 means low pass filter at 90Hz with +3dB boost at 44Hz; ; LPF100 means low pass filter at 100Hz, LPF100+3 means low pass filter at 100Hz with +3dB boost at 44Hz; LPF110 means low pass filter at 110Hz, LPF110+3 means low pass filter at 110Hz with +3dB boost at 44Hz, LPF80 preset means low pass filter at 80Hz; LPF80+3 means low pass filter at 80Hz with +3dB boost at 44Hz and CARD90/100/110 means cardioid polar pattern when used in combination with two other X218D subwoofers.

The X218D is connected using using Neutrik® Speakon connectors.

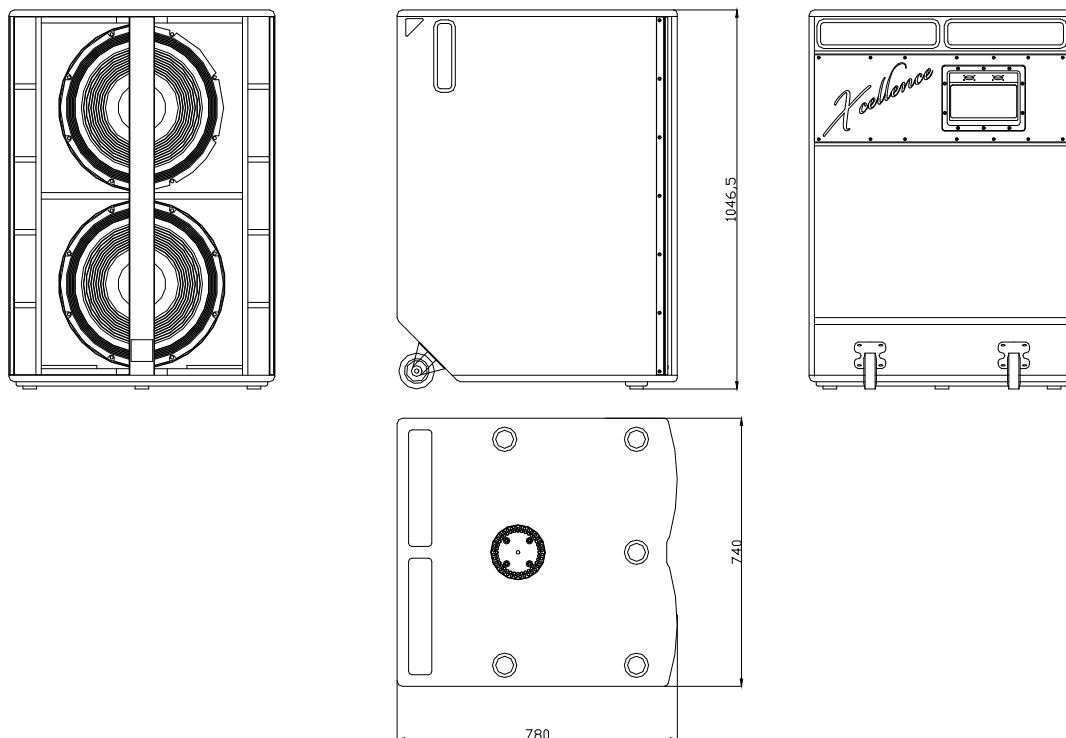


Fig.8. X218D external dimensions

It is built in birch plywood, which has a high resistance to vibrations and humidity. High resistance weatherproof bi-component Polyurea coating. The front face is protected by two 1.5 mm thick steel grilles.

4.2. Presets

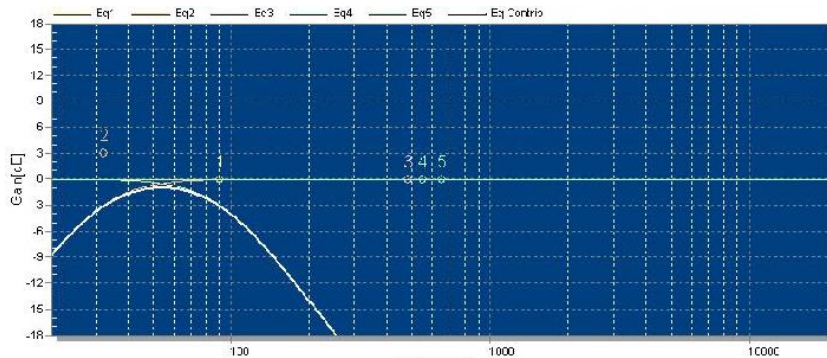
The X218D can be used with an external DSP206/608 (digital signal processor).

ATTENTION: When the X218D is used in conjunction with the X15D in XOVER preset, the X218D must operate in positive polarity.

When the X218D is used in conjunction with the X15D in FLAT, NEARFIELD, NEARFIELD+, SPEECH presets, the X218D must operate in negative polarity.

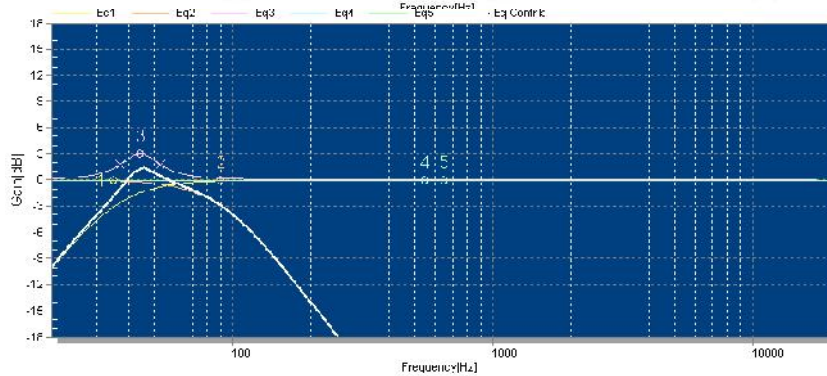
LPF90

90Hz
low pass filter



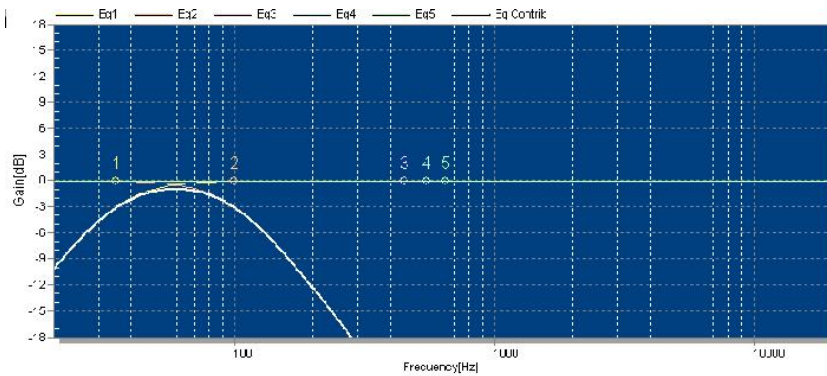
LPF90+3

90Hz
low pass filter,
+3dB boost
at 44Hz



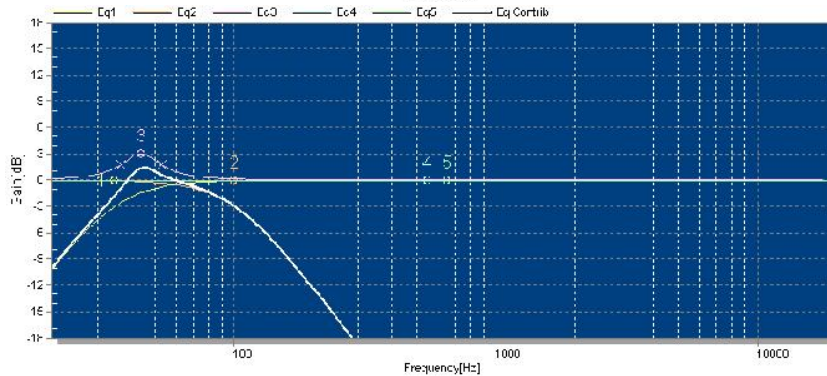
LPF100

100Hz
low pass filter



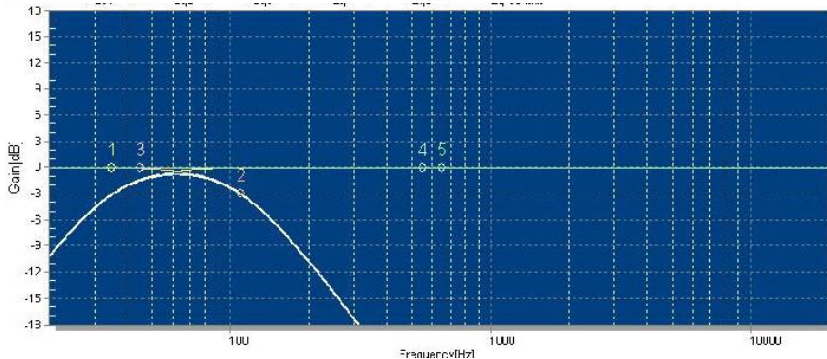
LPF100+3

100Hz
low pass filter,
+3dB boost
at 44Hz



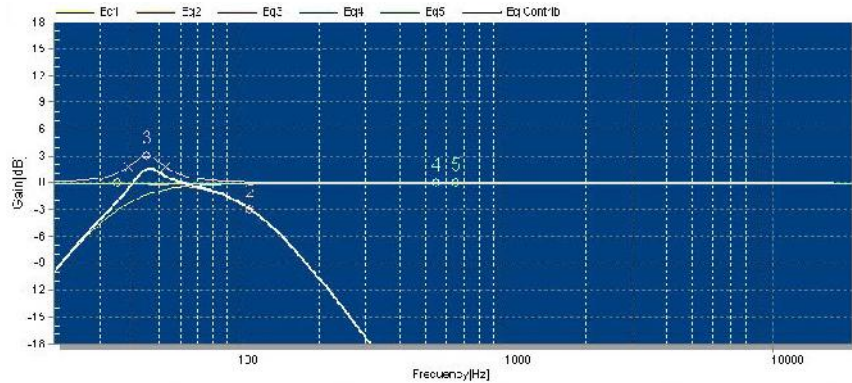
LPF110

110Hz
low pass filter



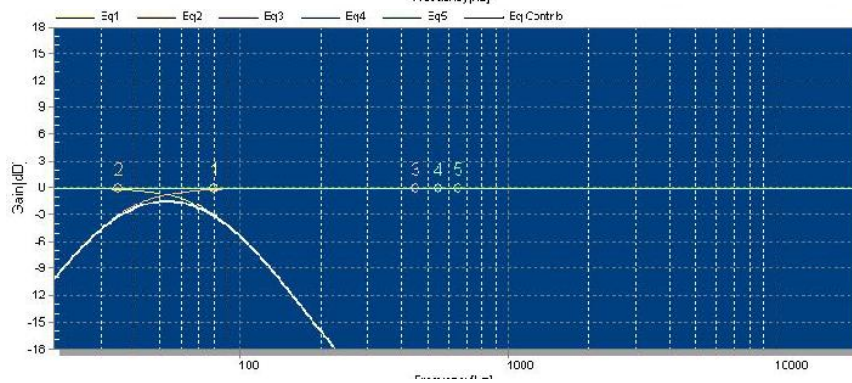
LPF110+3

110Hz
low pass filter,
+3dB boost
at 44Hz



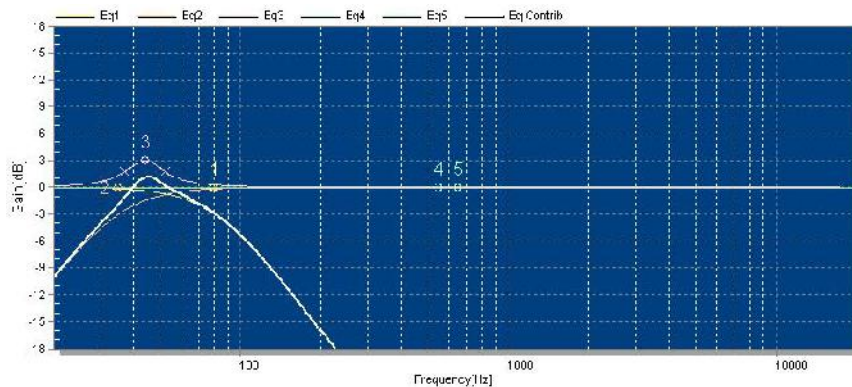
LPF80

80Hz
low pass filter



LPF80+3

80Hz
low pass filter,
+3dB boost
at 44Hz



CARD90/100/110

(Cardioid
polar pattern, with
processing, delay
and inverse
polarity)

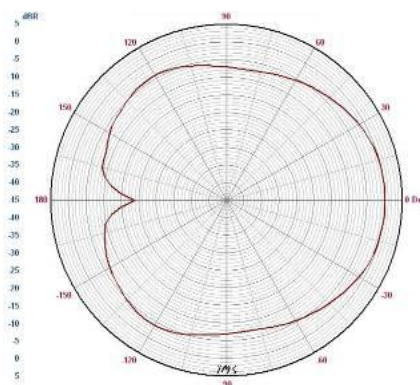


Fig.9. Recommended PRESETS for X218D

5. X21D FEATURES

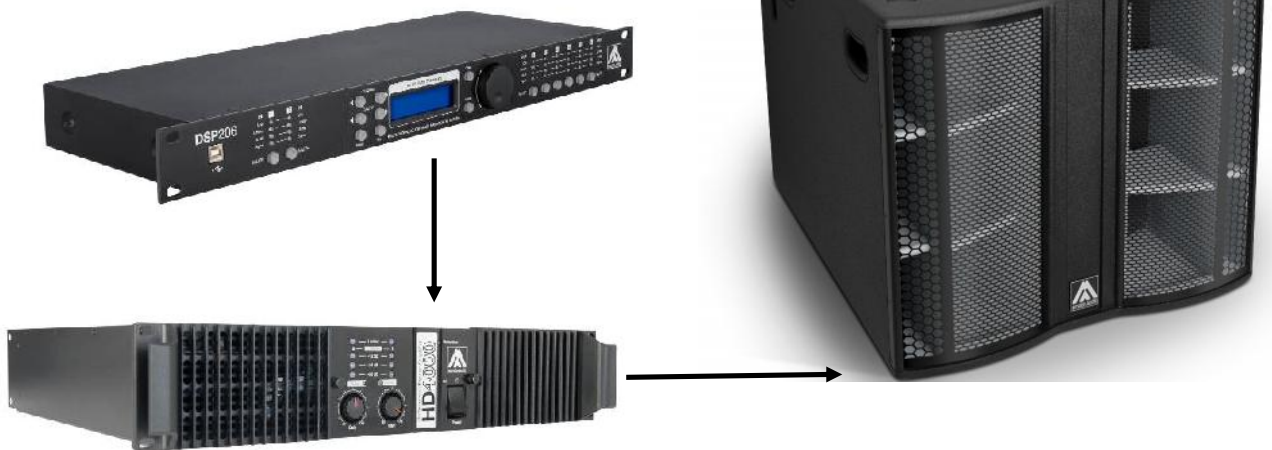
The X21D cabinet is ideal for bass reinforcement. The manufacturer recommended presets (LPF80, LPF80+3, LPF90, LPF90+3, LPF100, LPF100+3, LPF110,

LPF110+3, LPF120, LPF120+3, CARD80/90/100/110/120) make it easy, flexible and user-friendly.

The 21” neodymium woofer used, thanks to its exclusive magnetic design, combines excellent bass frequency response, high performance and low distortion. There is excellent heat dissipation due to the external positioning of the magnet set. Without any doubt one of the finest bass transducers currently available. The result is a clean, high quality sound.

The upper surface incorporates a M10 socket for a stacking frame (FR-X210, FR-X208).

Model	DSP206/608
--------------	------------



Model	HD4000
Mode	Bridge
Impedance	4
Program power	4000W

Model	X21D
Impedance	4

Fig.10. X21D main connections

5.1. Technical description

The X21D cabinet comes with acoustic bandpass cabinet. As a bass reinforcement system, its frequency response is 28Hz-120Hz (-10dB).

The recommended presets are as follows: LPF80 preset means low pass filter at 80Hz; LPF80+3 means low pass filter at 80Hz and +3dB boost at 40Hz; LPF90 means low pass filter at 90Hz; LPF90+3 means low pass filter at 90Hz and +3dB boost at 40Hz; LPF100 means low pass filter at 100Hz; LPF100+3 means low pass filter at 100Hz and +3dB boost at 40Hz; LPF110 means low pass filter at 110Hz; LPF110+3 means low pass filter at 110Hz and +3dB boost at 40Hz; LPF120 means low pass filter at 120Hz; LPF120+3 means low pass filter at 120Hz and +3dB boost

at 40Hz and CARD80/90/100/110/120 means cardioid polar pattern when used in combination with two other X21D subwoofers.

By increasing the low pass filter a greater ‘punch’ sensation can be achieved, but clarity is lost. It is down to the user to decide on the most suitable preset.

The X21D is connected using using Neutrik® Speakon connectors.

It is built in birch plywood, which has a high resistance to vibrations and humidity with black and grey Polyurea paint coating. The front face is protected by two 1.5 mm thick steel grilles. The X21D includes four in-built lateral handles for an easy and comfortable transport.

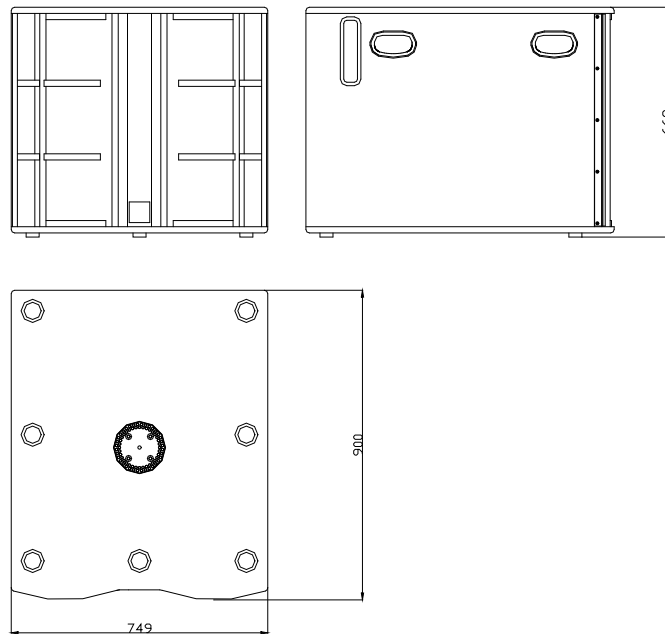


Fig.11. X21D external dimensions

5.2. Recommended presets for X21D

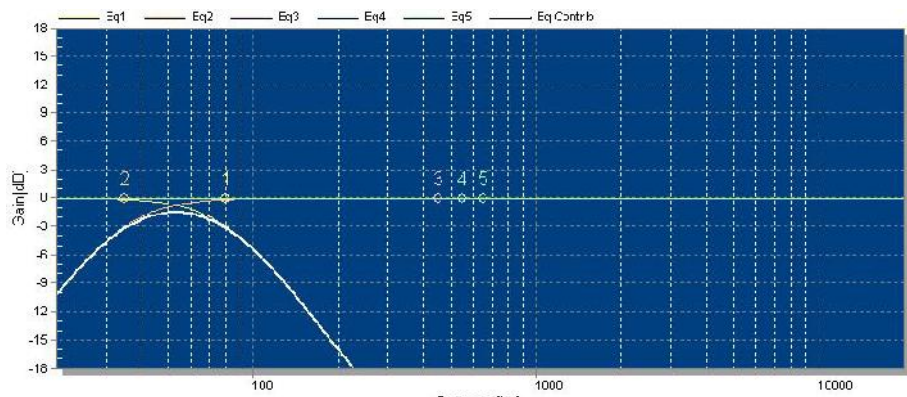
The X21D can be used with an external DSP206/608 (digital signal processor).

ATTENTION: When the X21D is used in conjunction with the X15D in XOVER preset, the X21D must operate in positive polarity.

When the X21D is used in conjunction with the X15D in FLAT, NEARFIELD, NEARFIELD+, SPEECH presets, the X21D must operate in negative polarity.

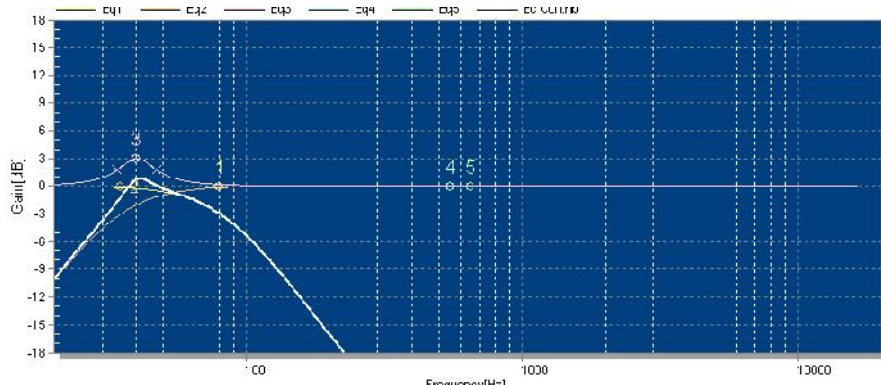
LPF80

Low pass filter at 80Hz



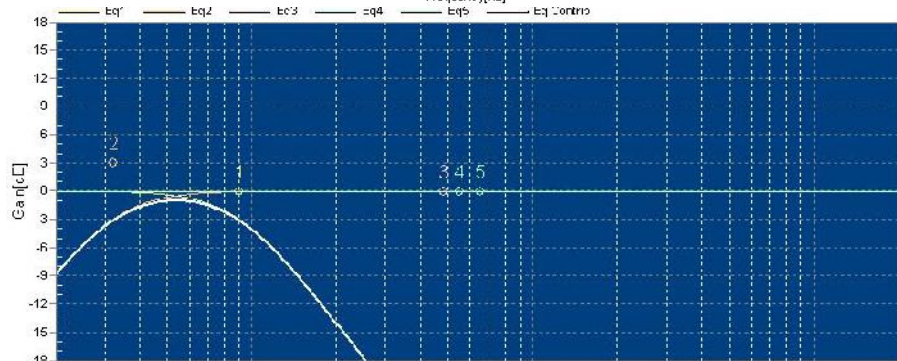
LPF80+3

Low pass filter at 80Hz with +3dB boost at 40Hz



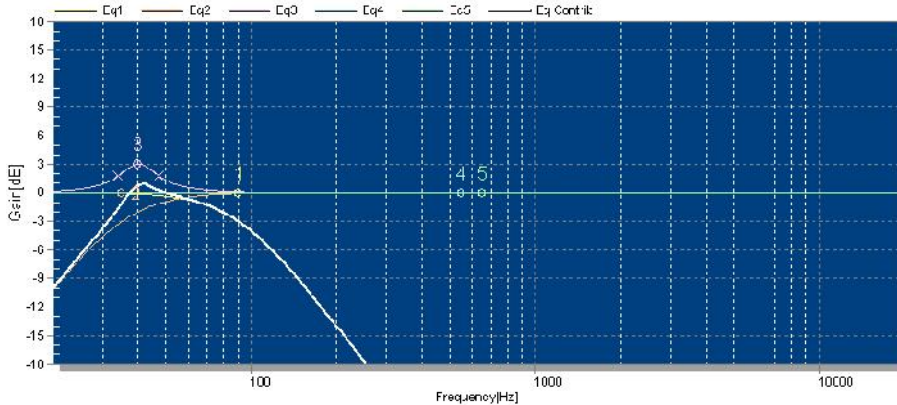
LPF90

Low pass filter at 90Hz



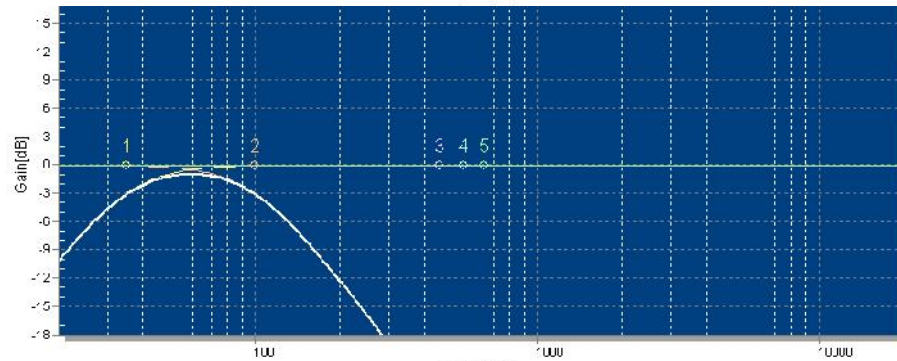
LPF90+3

Low pass filter at 90Hz with +3dB boost at 40Hz



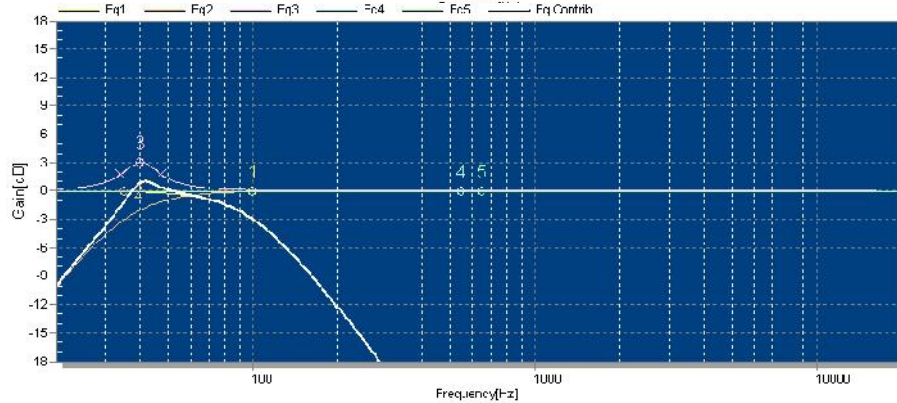
LPF100

Low pass filter at 100Hz



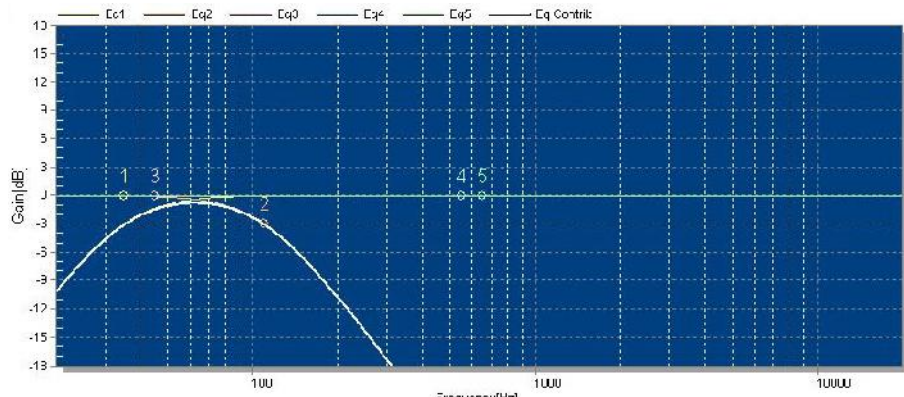
LPF100+3

Low pass filter at 100Hz with +3dB boost at 40Hz



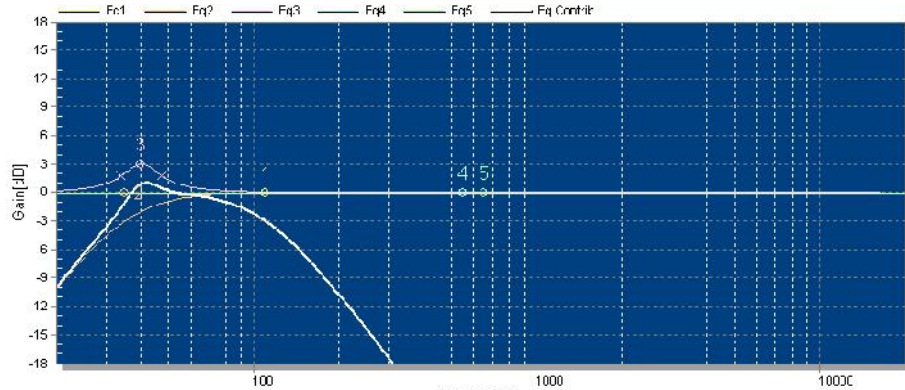
LPF110

Low pass filter at 110Hz



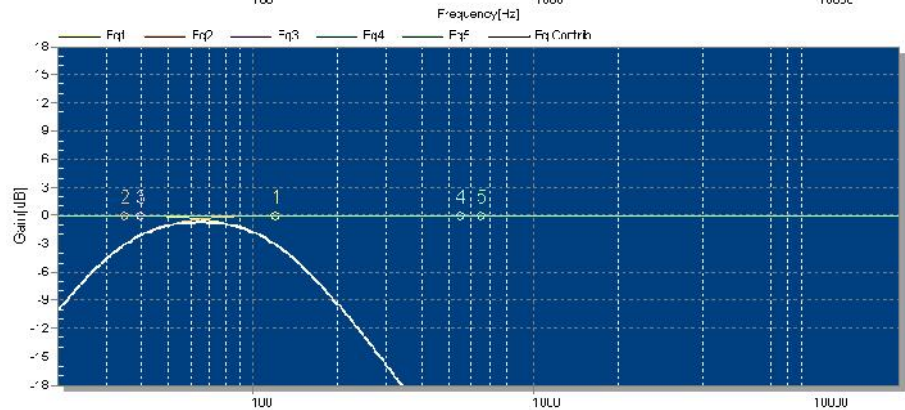
LPF110+3

Low pass filter at 110Hz with +3dB boost at 40Hz



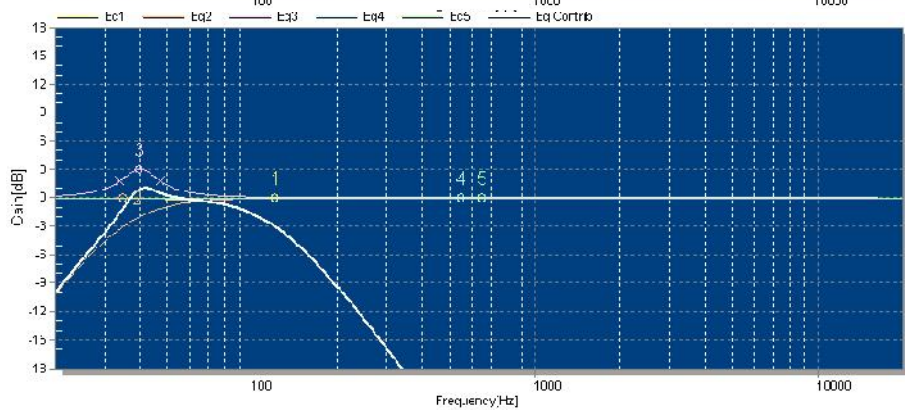
LPF120

Low pass filter at 120Hz



LPF120+3

Low pass filter at 120Hz with +3dB boost at 40Hz



CARDIOID

(Cardioid polar pattern, with processing, delay and inverse polarity)

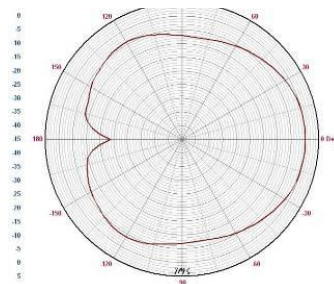


Fig.12. Recommended PRESETS for X21D

6. CONNECTION PANELS

All connection panels contains the following elements:

A) SPEAKON: Speakon terminals. Each connector includes:

PIN+1/-1: power signal from the amplifier.

WARNING: Respect the polarity +/-

PIN+2/-2: no connection



It is strongly recommended to use a multi-conductor high quality wire, non-shielded. We recommend using a minimum section of 4mm² for the conductors that will transport the power signal (+1/-1).

Avoid long wire distances as they induce to important power and quality losses.

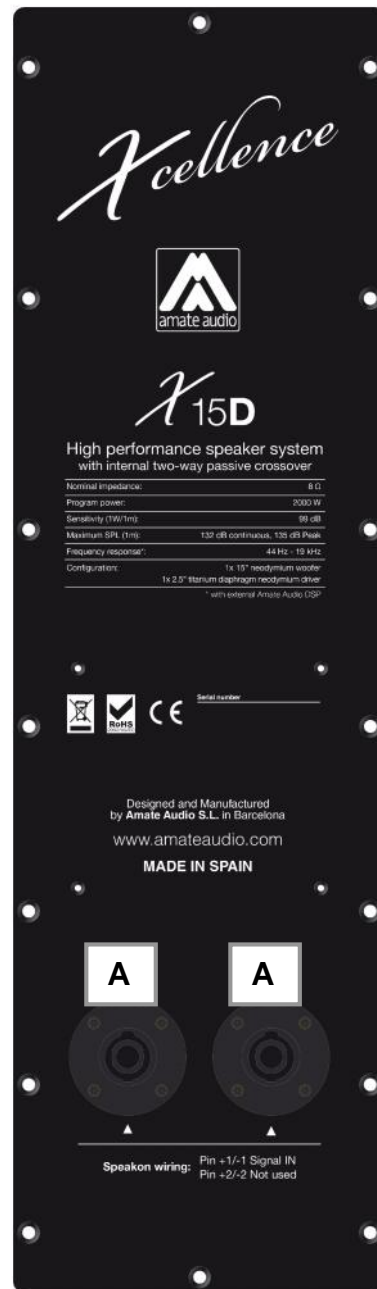


Fig.13. X15D connection panel

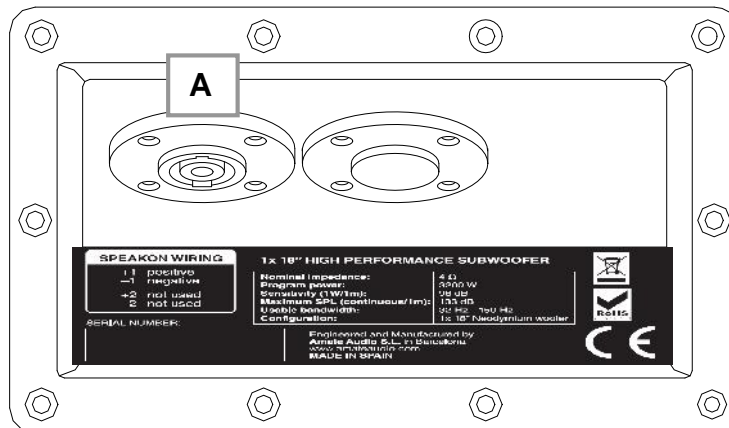


Fig.14. X18D connection panel



Fig.15. X218D connection panel

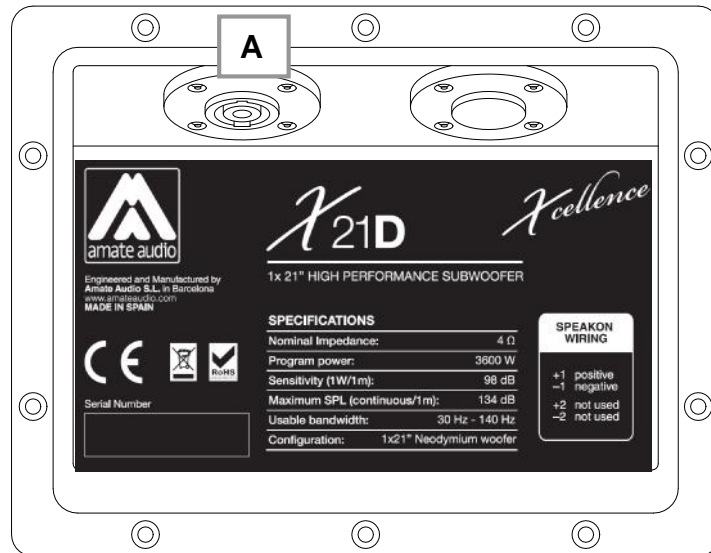
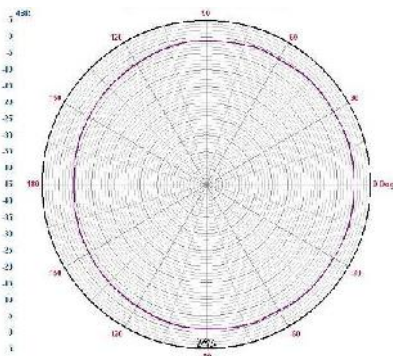


Fig.16. X21D connection panel

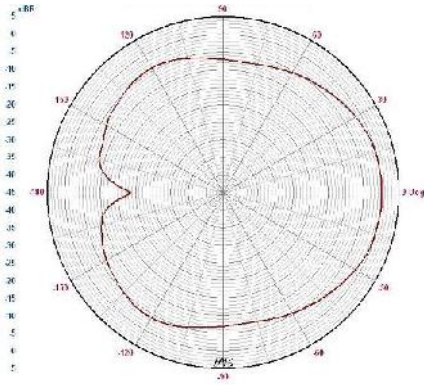
7. CARDIOID SUBWOOFERS



X18D, X21D and X218D enable the combination of three or multiple of three subwoofer cabinets to provide exceptional directivity at low frequencies. To get the correct set-up parameters, please contact export@amateaudio.com. High directivity at low frequencies has two main effects on the sound field: firstly, the low frequency level behind the subwoofer cabinets is greatly reduced; secondly, in closed venues the diffuse sound field at low frequencies is reduced so the low frequency reproduction is much more precise.

Fig.17. Traditional polar pattern of a subwoofer at 40Hz

The typical operating range of a traditional subwoofer tends to be like a monopole, i.e. tends to radiate with the same energy in all directions. This behaviour implies that the control of radiation at low frequencies is very difficult because the wavelengths are very large compared to the size of the source (8.5 m at 40Hz).



To increase the directivity at low frequencies we must transform the omnidirectional performance into a cardioid performance. This can only be achieved by various sources, arranged in a certain position, to which we apply a specific phase, filtering and delay. That is, we need to reproduce two signals with the same frequency and similar amplitude which will have a difference in phase of approximately 180° at a certain point of the sound field. If the phases and delays are well calculated the result is a system in which we cancel the energy of the back and not the one of the front.

Fig.18. Cardioid pattern

7.1. The CARDIOID presets

X18D, X21D and X218D can generate an uncompromised cardioid behaviour when used in conjunction with an external Amate Audio DSP206/608 and their correct set-up parameters.

In its minimum and standard configuration a Cardioid setup consists of a stack of three subwoofer cabinets (for X18D and X21D) and of a horizontal line of three subwoofer cabinets (for X218D).

Only one subwoofer is needed to compensate for the energy of the other two radiating to the front. Then, the cabinet facing to the back (to the stage) should be located in the centre of the column.

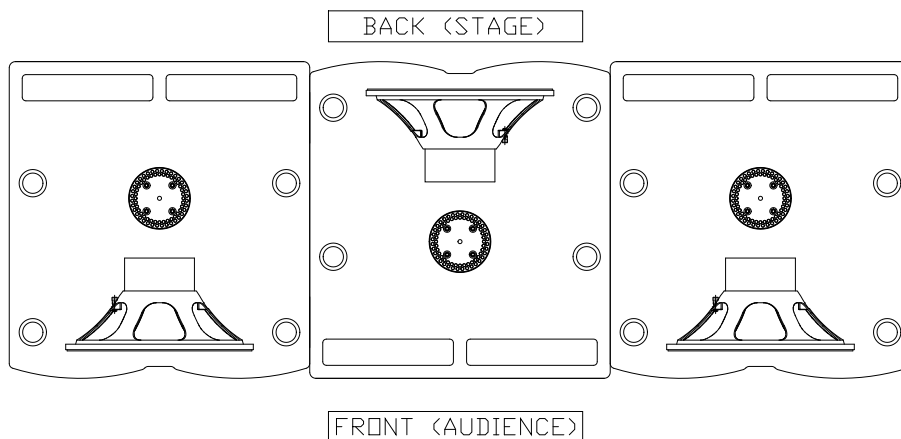


Fig.19. Cardioid configuration for X218D subwoofer

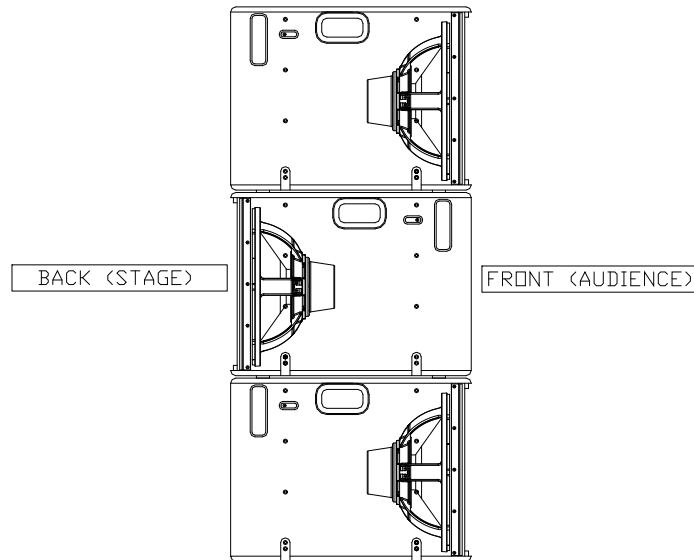


Fig.20. Cardioid configuration for X18D subwoofer

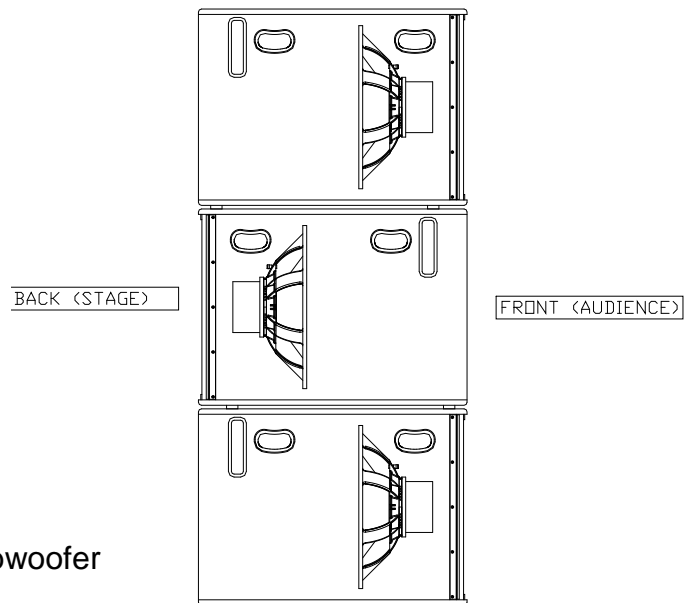


Fig.21. Cardioid configuration for X21D subwoofer

When using X18D choose one of the following options:

- a) The front facing subwoofers must be driven with [LPF80+3] preset and the back facing subwoofer must be driven with [CARD80] preset.
- or
- b) The front facing subwoofers must be driven with [LPF90+3] preset and the back facing subwoofer must be driven with [CARD90] preset.
- or
- c) The front facing subwoofers must be driven with [LPF100+3] preset and the back facing subwoofer must be driven with [CARD100] preset.
- or
- d) The front facing subwoofers must be driven with [LPF110+3] preset and the back facing subwoofer must be driven with [CARD110] preset.
- or
- e) The front facing subwoofers must be driven with [LPF120+3] preset and the back facing subwoofer must be driven with [CARD120] preset.

When using X21D choose one of the following options:

- f) The front facing subwoofers must be driven with [LPF80] preset and the back facing subwoofer must be driven with [CARD80] preset.
- or
- g) The front facing subwoofers must be driven with [LPF90] preset and the back facing subwoofer must be driven with [CARD90] preset.
- or
- h) The front facing subwoofers must be driven with [LPF100] preset and the back facing subwoofer must be driven with [CARD100] preset.
- or
- i) The front facing subwoofers must be driven with [LPF110] preset and the back facing subwoofer must be driven with [CARD110] preset.
- or
- j) The front facing subwoofers must be driven with [LPF120] preset and the back facing subwoofer must be driven with [CARD120] preset.

When using X218D choose one of the following options:

- k) The front facing subwoofers must be driven with [LPF90] preset and the back facing subwoofer must be driven with [CARD90] preset.
- or
- l) The front facing subwoofers must be driven with [LPF100] preset and the back facing subwoofer must be driven with [CARD100] preset.
- or
- m) The front facing subwoofers must be driven with [LPF110] preset and the back facing subwoofer must be driven with [CARD110] preset.

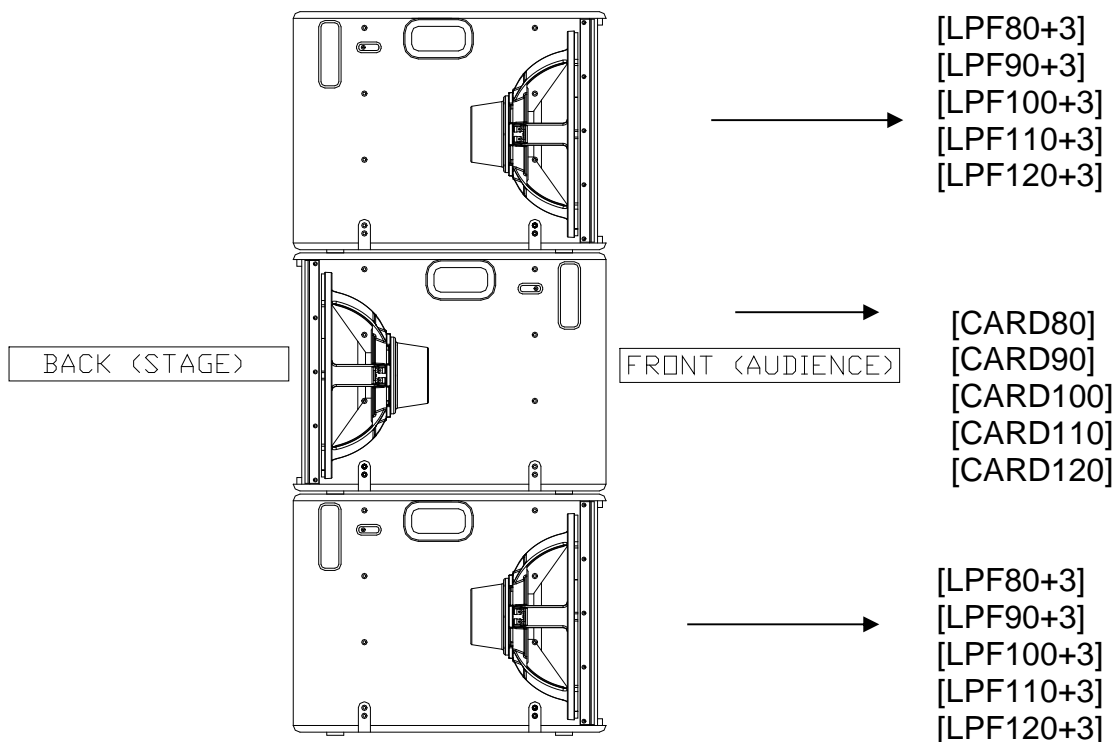


Fig.22. Cardioid presets for X18D subwoofer

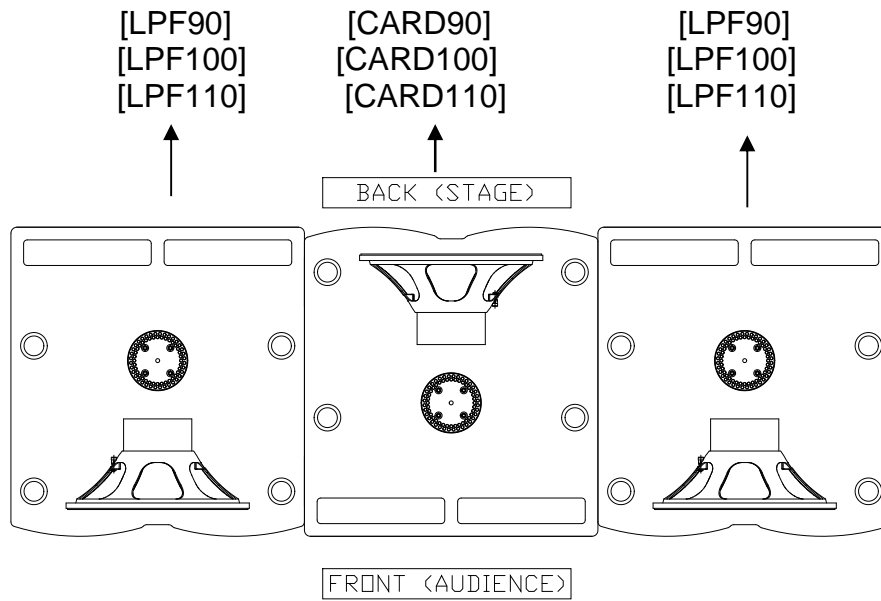


Fig.23. Cardioid presets for X218D subwoofer

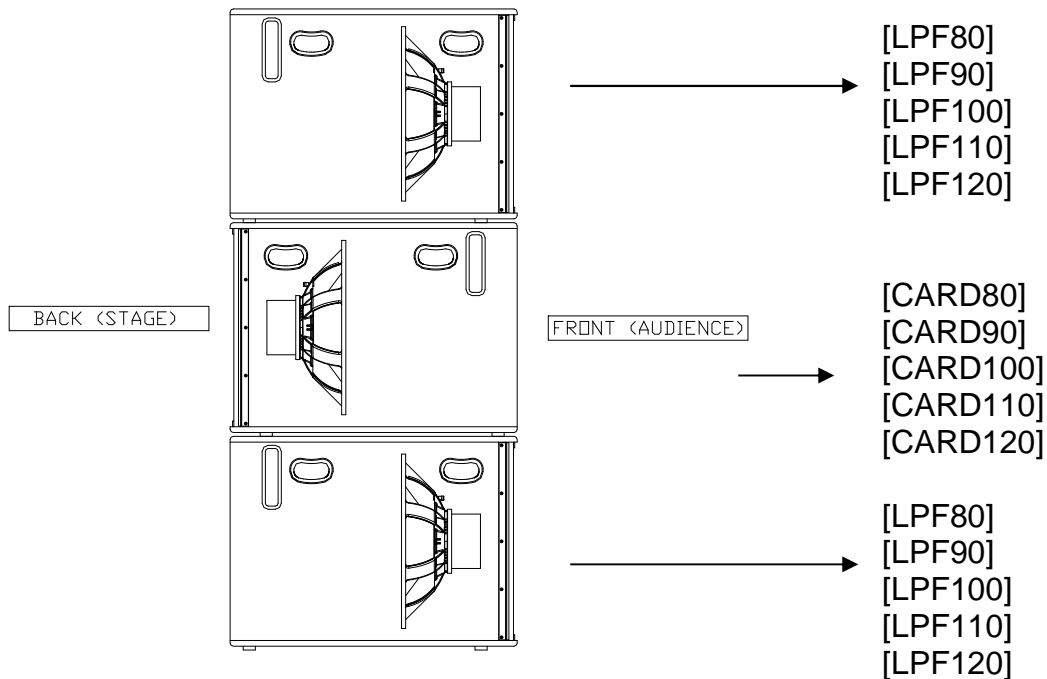


Fig.24. Cardioid presets for X21D subwoofer

When placing the subwoofers in a cardioid configuration keep a distance to walls of at least 60 cm in order not to affect the radiation of the central reversed cabinet.

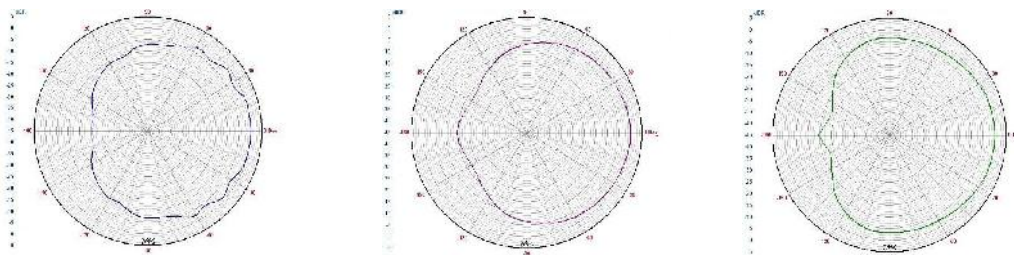


Fig.25. Back energy rejection at 40Hz / 50 Hz / 63Hz

IMPORTANT: If the user wants to adjust its own cardioid preset there is a specific manual to do it. Please, contact the sales department of Amate Audio for more information.

8. CONNECTING

8.1. Full Range Stereo configuration

Connect each output of the amplifier LEFT/RIGHT to each cabinet using two independent wires.

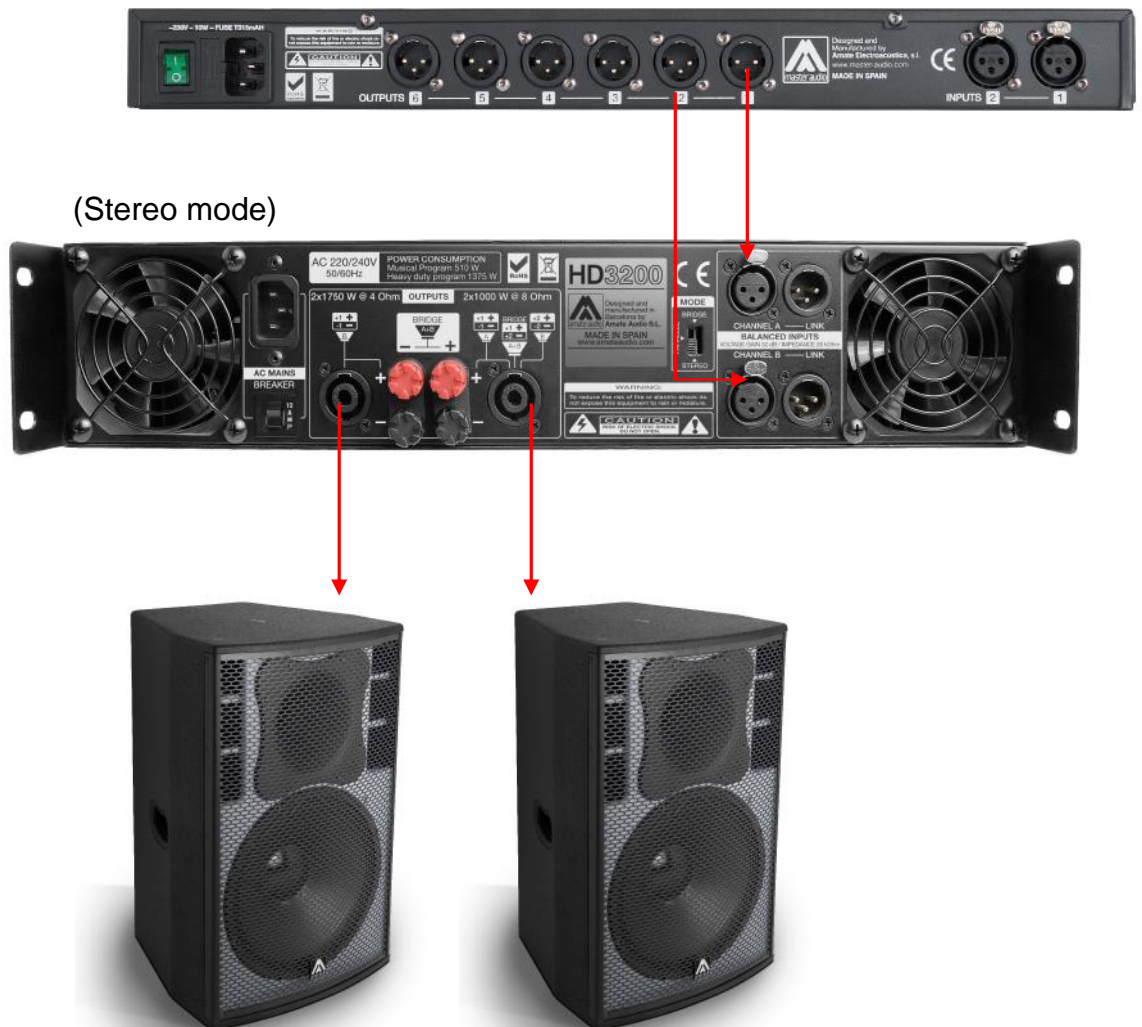


Fig.26. Full range stereo configuration

8.2. Full Range Parallel configuration

Connect the amplifier's output to the Speakon's input of the first cabinet, always respecting the polarity positive +1, negative -1. Then, make a bridge from the first cabinet to the second one. This configuration allows you to connect up to four cabinets to the same amplifier.

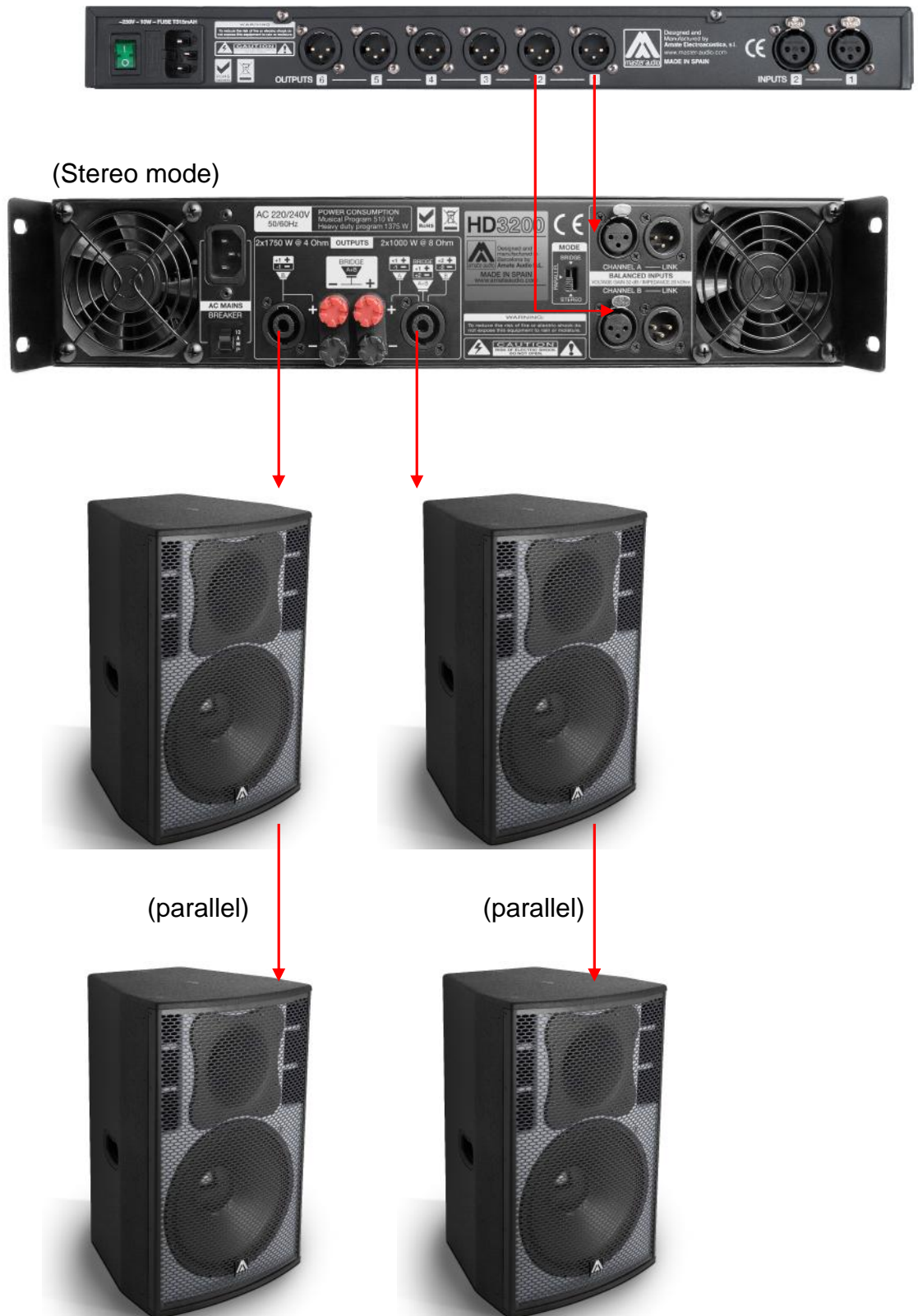


Fig.27. Full range parallel configuration

8.3. Bi-Amplified configuration with Subwoofer

Use one amplifier for the low reinforcement units and consequently, connect the Full Range cabinets to a second amplifier.

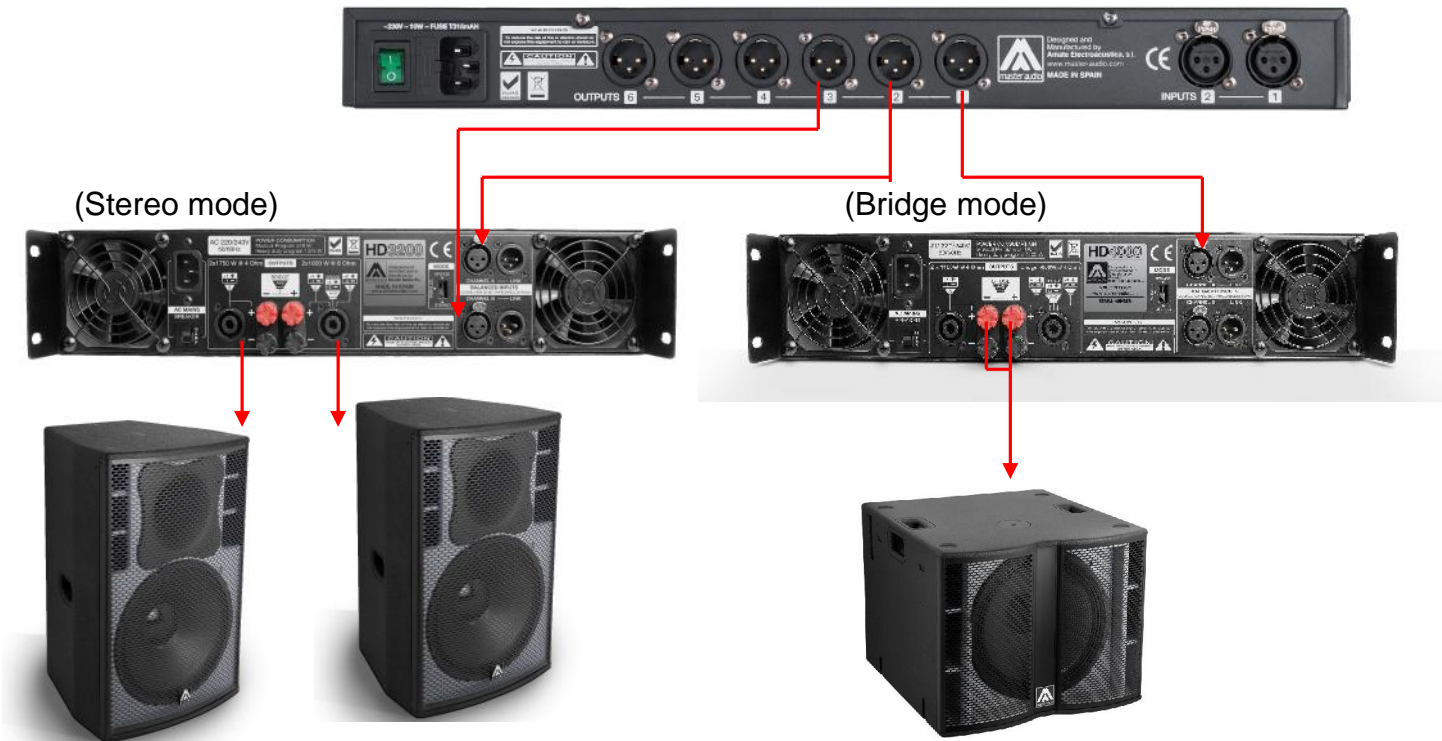


Fig.28. Bi-amplified with subwoofer configuration (X18D)

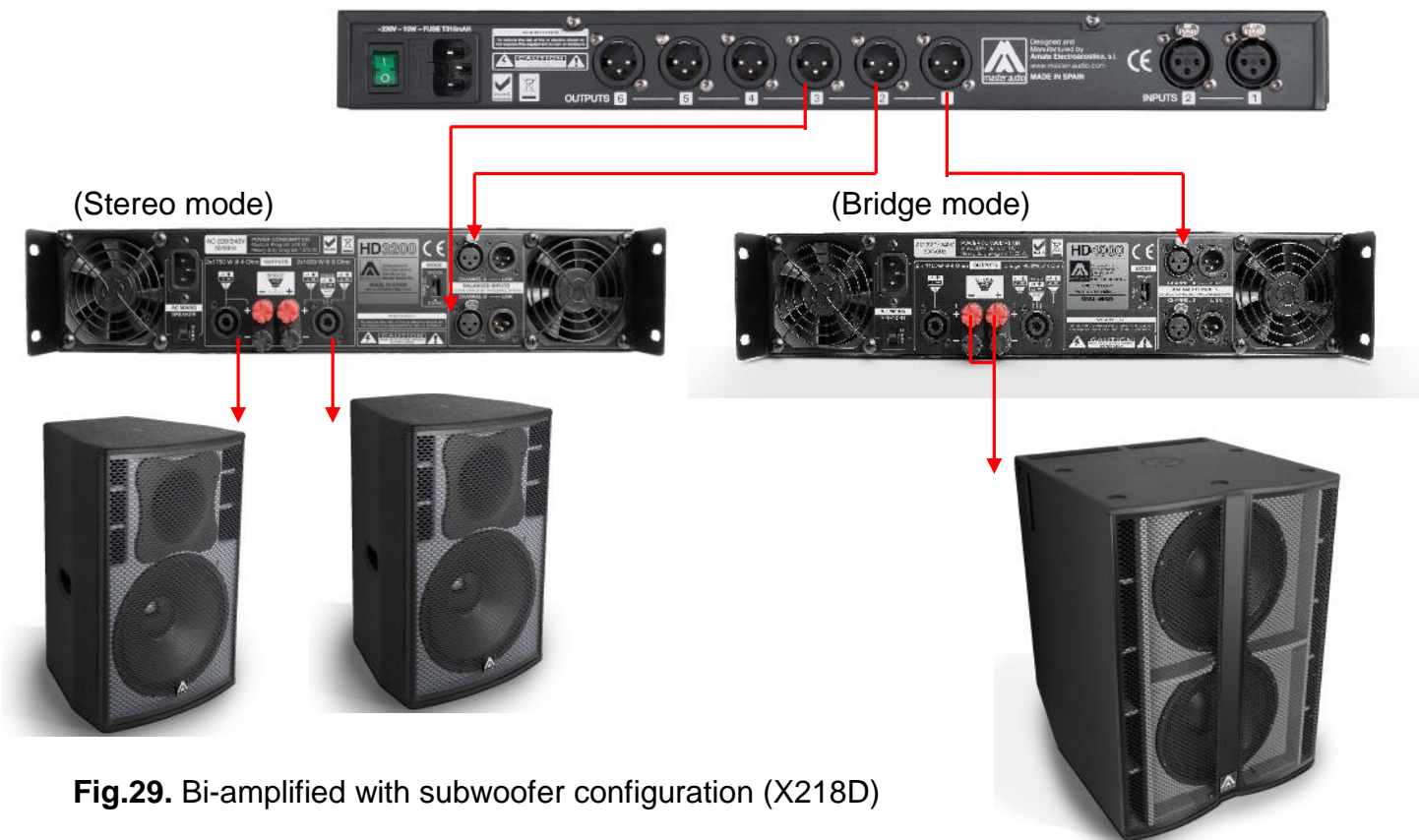


Fig.29. Bi-amplified with subwoofer configuration (X218D)

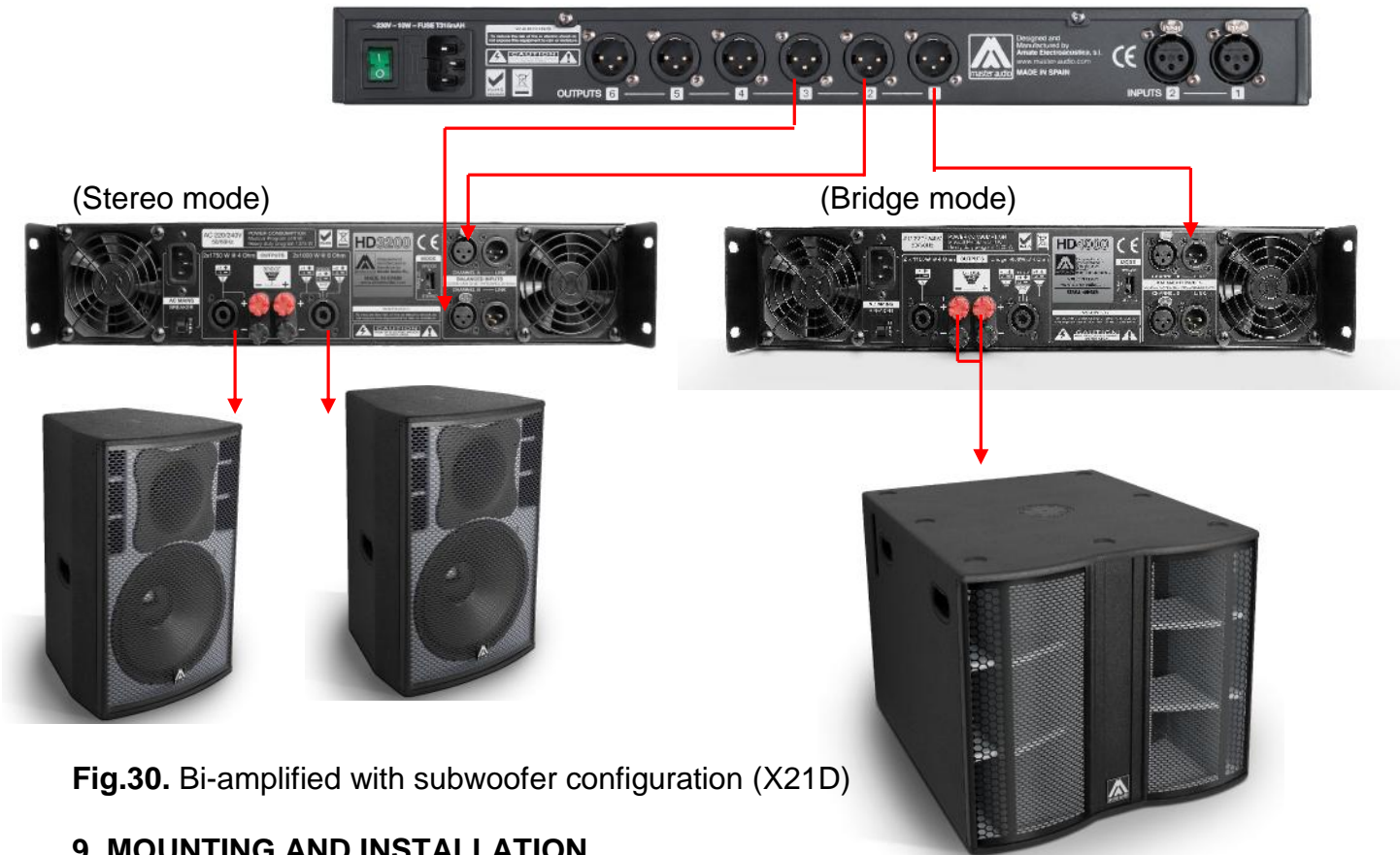
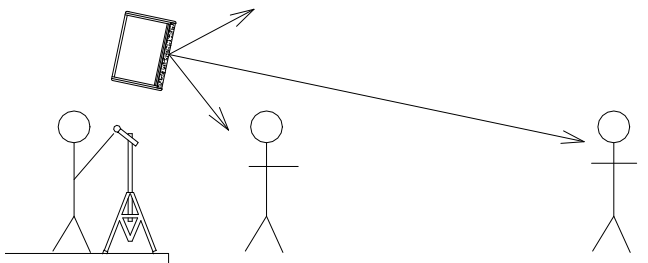


Fig.30. Bi-amplified with subwoofer configuration (X21D)

9. MOUNTING AND INSTALLATION



Whenever possible, mount the Full Range units in a high position (between 2 and 3 meters above ground), angled towards the audience. If the units are mounted close to the ground the back row listeners will receive low quality sound.

Fig.31. Orientation of Xcellence full range units

The X15D incorporates a 35mm pole mount socket for standard tripod or bar on the bottom side.

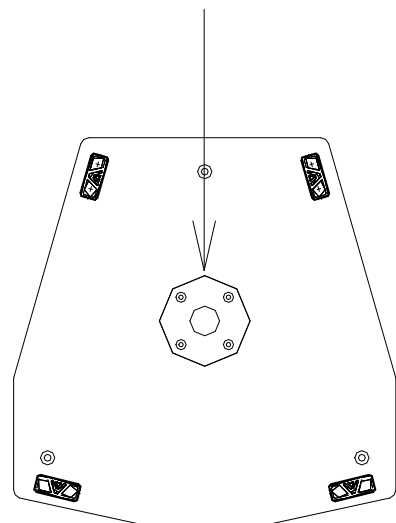


Fig.32. Socket for tripod or bar (X15D)

Do not use the tripod on sloping surfaces nor mount the cabinets too high to avoid total instability of the system.

The X18D incorporates a M20 base-plate on its upper side for the attachment of a standard 35mm diameter bar.

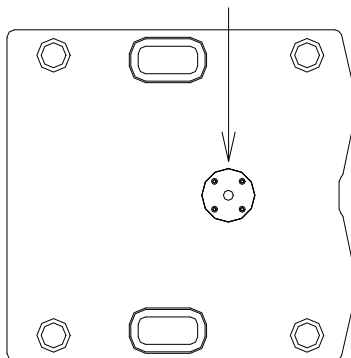


Fig.33. X18D socket

The X218D and X21D incorporate a M10 base-plate on their upper side for the attachment of a stacking frame (FR-X210 / FR-X208)

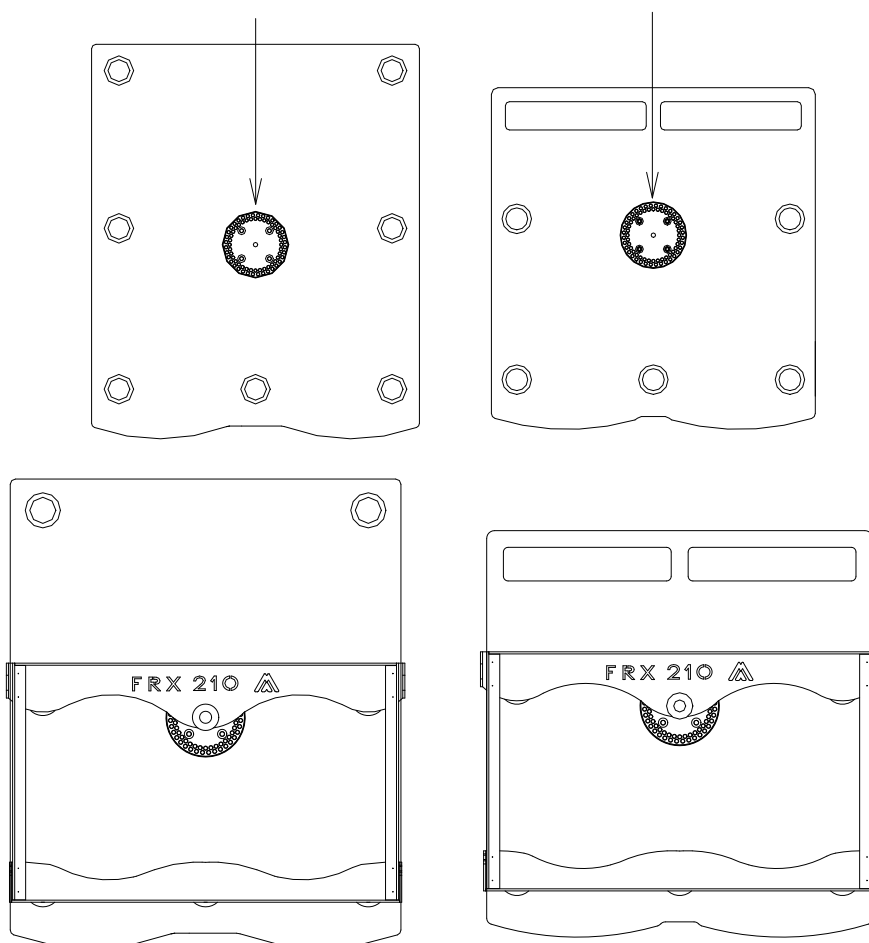


Fig.34. X218D and X21D socket

The brand logo can be turned for use in horizontal position (X15D).

10. MOUNTING ACCESSORIES (X15D)

10.1. UB-L

The UB-L is an optional accessory for wall mounting (horizontal orientation). Please, refer to “UB-L user’s manual” to get more information.

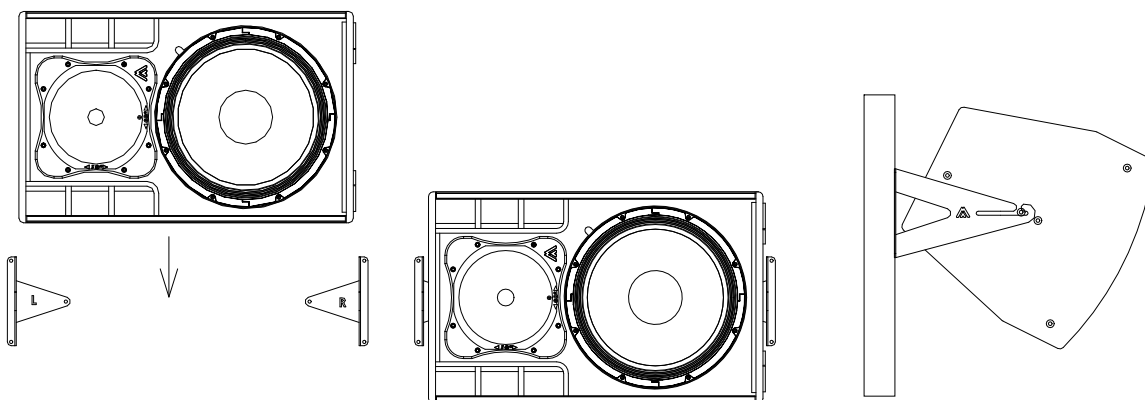


Fig.35. UB-L use with X15D

10.2. HR-L and HR-L/GT

The HR-L is an optional accessory for fix column mounting of X15D (vertical position). The HR-L/GT is an optional accessory for truss mounting of X15D (vertical position). Please, refer to “HR-L and HR-L/GT user’s manual” to get more information.

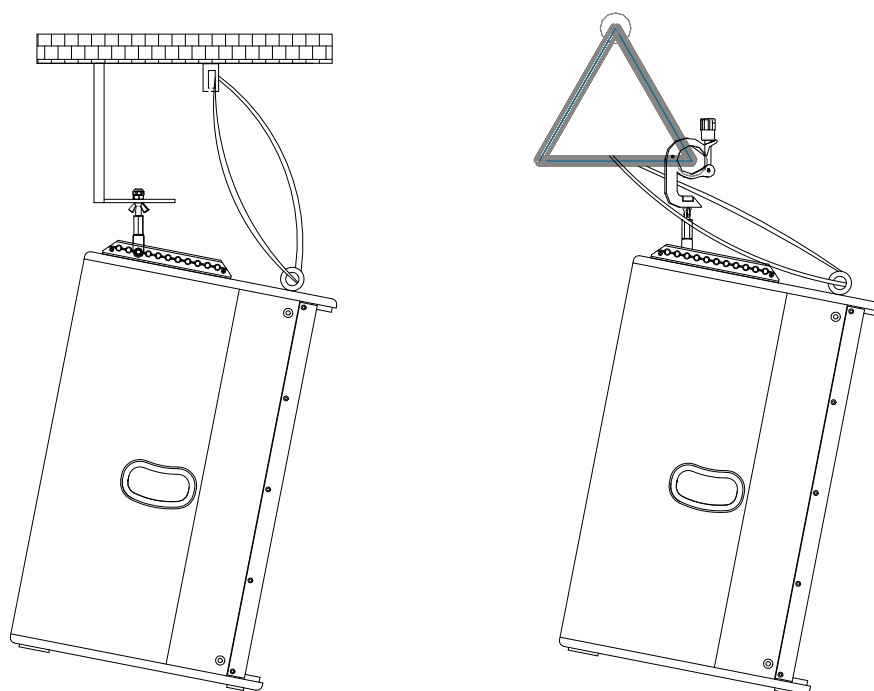


Fig.36. HR-L and HR-L/GT use with X15D

10.3. ACRM8

The X15D provides M8 flying points. Their correct use will permit the flying in horizontal or vertical position

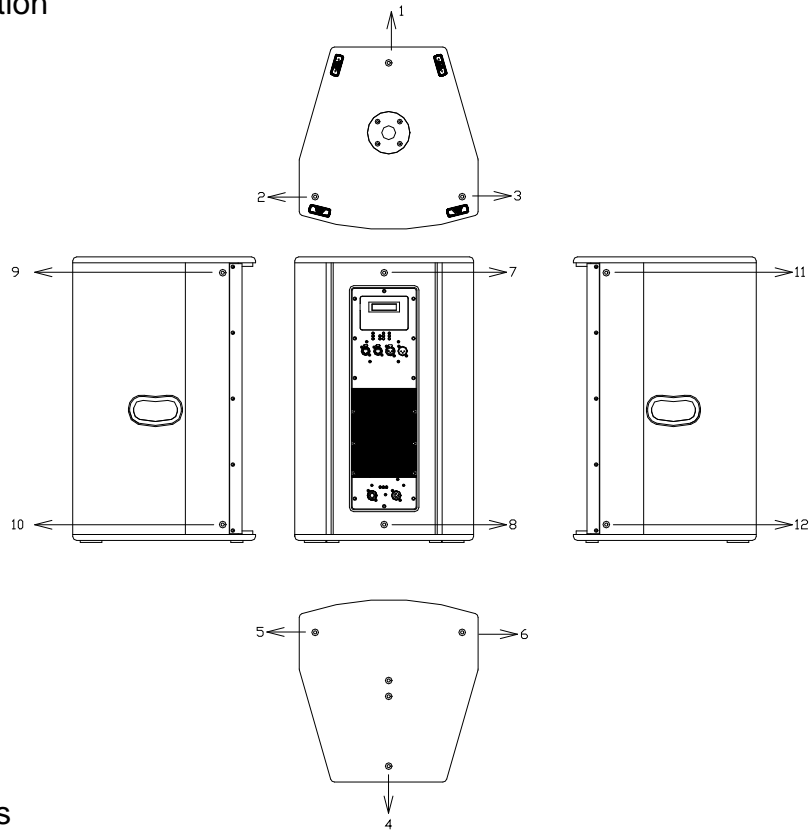


Fig.37. X15D flying points

X15D	
Horizontal flying	2&5 or 3&6 or 9&10 or 11&12 (front rigging points) 1&4 or 7&8 (back tilt points)
Vertical Flying	2&3 or 5&6 or 9&11 or 10&12 (front rigging points) 1 or 4 or 7 or 8 (back tilt points)

10.4. SP35

X15D may be wall mounted by the SP35 wall stand accessory.

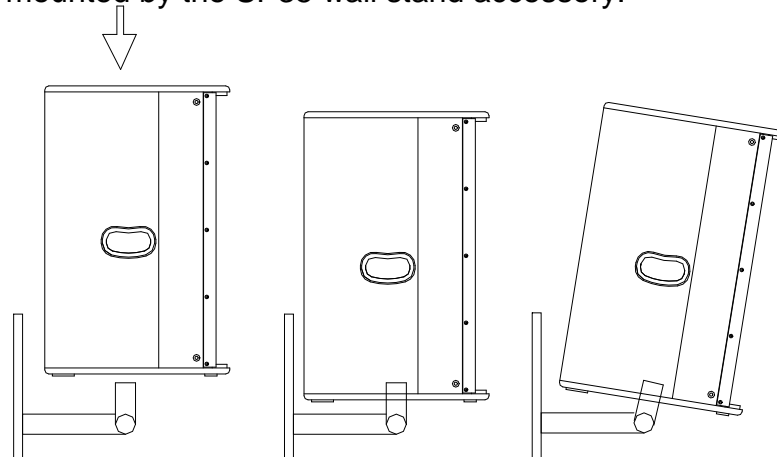


Fig.38. SP35 use with X15D

11. TECHNICAL FEATURES

	X15D	X18D
Impedance	8Ω	4Ω
Sensitivity (1W/1m)	99 dB	98 dB
Frequency response (-10dB)	44Hz-19kHz	32Hz-150Hz
Program power	2000W	3200W
Directivity	60° x 50°	Omnidirectional
Components		
LF	1 x 15" neodymium woofer	1 x 18" neodymium woofer
HF	1 x 2,5" neodymium, titanium diaphragm driver	
Cabinet		
Type	Bass-reflex	
Height	720 mm	540 mm
Width	450 mm	664 mm
Depth	460 mm	700 mm
Weight (net)	29,1 Kg	40,9 Kg
Connectors	2 x Speakon (In/Link)	1 x Speakon (In)
Material	Multilayer birch plywood, steel front grille	
Finish	High resistant black&grey Polyurea coating	

	X218D	X21D
Impedance		4Ω
Sensitivity (1W/1m)	101 dB	98 dB
Frequency response (-10dB)	28Hz-150Hz	28Hz-140Hz
Program power	6800W	3600W
Directivity	omnidirectional	omnidirectional
Components		
LF	2 x 18" neodymium woofers	1 x 21" neodymium woofer
Cabinet		
Type	Bass-reflex	Band-pass
Height	1046 mm	668 mm
Width	740 mm	749 mm
Depth	780 mm	900 mm
Weight (net)	99,5 Kg	72,9 Kg
Connectors	1 x Speakon (In)	
Material	Multilayer birch plywood, steel front grille	
Finish	High resistant black&grey Polyurea coating	

ESPAÑOL

1. INTRODUCCIÓN

1.1. Generalidades

Amate Audio le agradece la confianza depositada en nuestros sistemas de altavoces de la serie Xcellence. Le sugerimos lea atentamente las indicaciones que a continuación exponemos, confiando en que le serán de gran utilidad para obtener sus mejores resultados.

1.2. Características y presentación

X15D

- Recinto pasivo de dos vías
- Potencia de programa de 2000W
- Sensibilidad 1W/1m de 99dB
- Altavoz de 15" de neodimio con bobina de 3,5"
- Motor de compresión de neodimio con diafragma de titanio de 2.5" (salida 1,4")
- Bocina rotatable 60x50°

X18D

- Recinto pasivo de tipo subwoofer
- Potencia de programa de 3200W
- Sensibilidad 1W/1m de 98dB
- Altavoz de 18" de neodimio con bobina de 4"

X21D

- Recinto pasivo de tipo subwoofer
- Potencia de programa de 3600W
- Sensibilidad 1W/1m de 98dB
- Altavoz de 21" de neodimio con bobina de 5.3"

X218D

- Recinto pasivo de tipo subwoofer
- Potencia de programa de 6800W
- Sensibilidad 1W/1m de 101dB
- Dos altavoces de 18" de neodimio con bobina de 4.5"

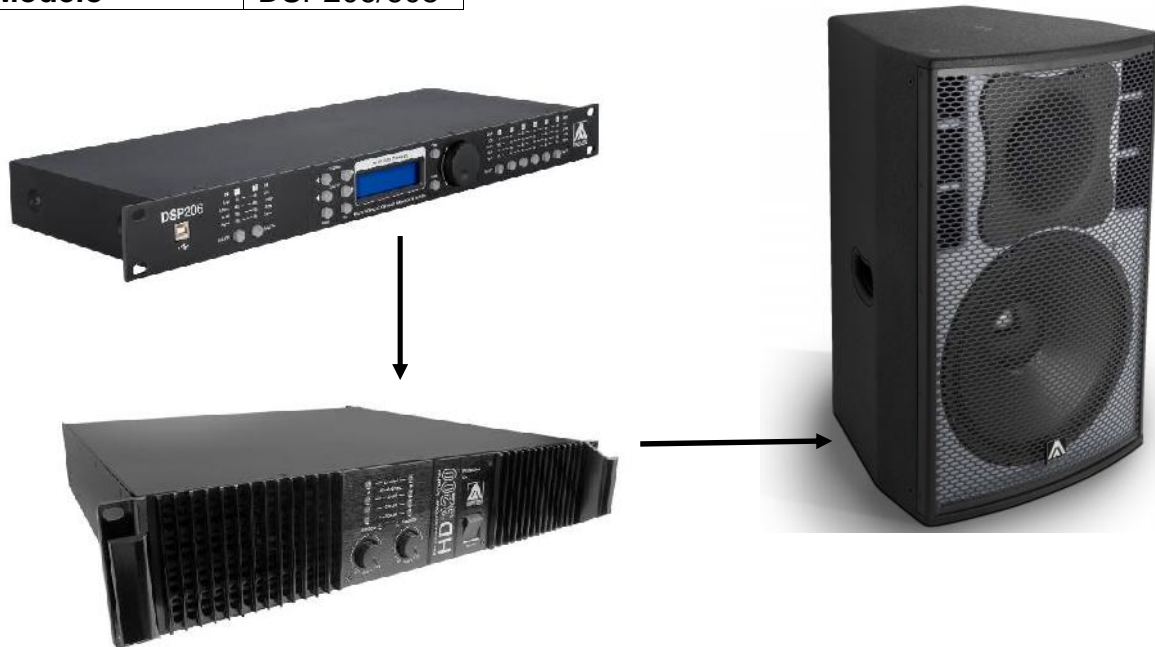
2. CARACTERÍSTICAS X15D

Los recintos X15D son ideales para multitud de aplicaciones. Los presets de fábrica recomendados FLAT, NEARFIELD, NEARFIELD+, SPEECH, XOVER lo convierten en sistemas fáciles, flexibles y muy cómodos de operar.

La cara inferior incorpora vaso para trípode estándar de 35mm.

Para optimizar el sistema disponemos de presets para procesador Amate Audio **DSP206/608**. Estos presets están pensados para trabajar con amplificación externa Amate Audio **HD3200**.

Modelo	DSP206/608
---------------	------------



Modelo	HD3200	
Modo	Stereo	Stereo
Impedancia	8	4
Potencia programa	1000W	1750W

Modelo	X15D
Impedancia	8

Fig.1. Principales conexiones para X15D

2.1. Descripción técnica general

La X15D es un sistema de altavoces pasivo, con transductor de radiación directa y caja acústica bass reflex. Como sistema full range su respuesta en frecuencia es de 44Hz-19kHz (-10dB).

Los presets recomendados que pueden utilizarse con un DSP externo son los siguientes: FLAT significa respuesta máximamente plana cuando el recinto se encuentra bajo condiciones de campo libre (freefield conditions); NEARFIELD contiene -3dB en medias frecuencias (800Hz-3kHz) y ha sido configurado para escuchas a moderado volumen y en campo cercano; NEARFIELD+ contiene -3dB en medias frecuencias (200Hz-3kHz) y ha sido configurado para escuchas a moderado volumen y en campo cercano; SPEECH contiene -6dB en graves y -6dB en agudos y es útil para utilización en aplicaciones de palabra (con micrófono); XOVER contiene filtro paso alto a 100Hz para utilización con refuerzo de bajas frecuencias (subwoofer).

La conexión de señal se realiza mediante conectores Speakon Neutrik®.

Construida en tablero multicapa de abedul de alta resistencia a las vibraciones y humedad con acabado en pintura negra y gris Polyurea de alta resistencia. La parte frontal está protegida por una reja de acero de 1.5mm. Incluye dos asas laterales para un fácil y cómodo transporte

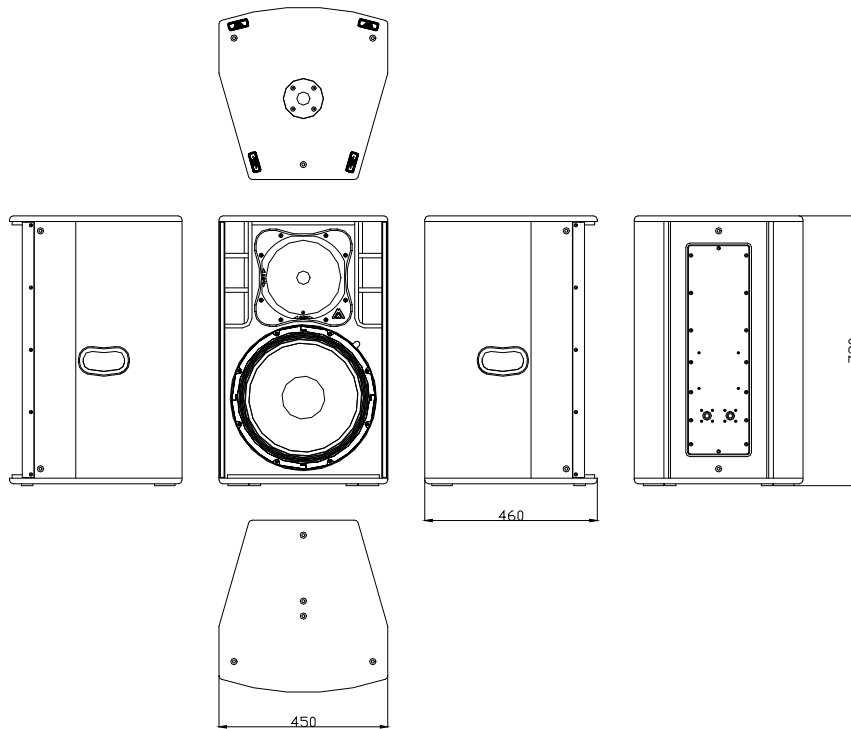


Fig.2. X15D dimensiones externas

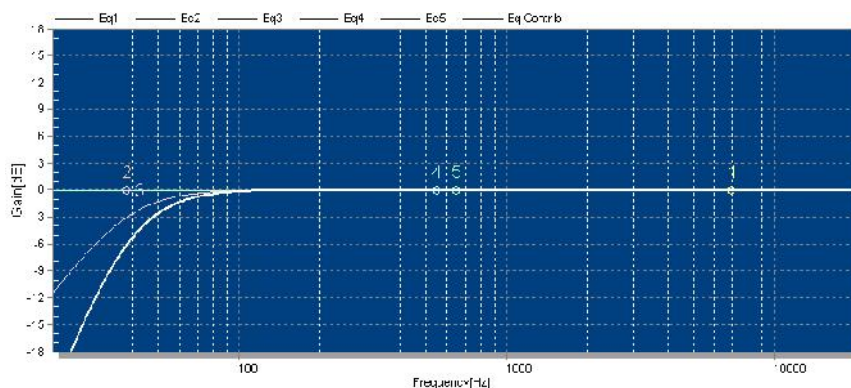
2.2. Presets recomendados para X15D

La X15D puede ser usada en conjunto con un procesador externo Amate Audio DSP206/608.

FLAT

Respuesta plana

- Preset estándar

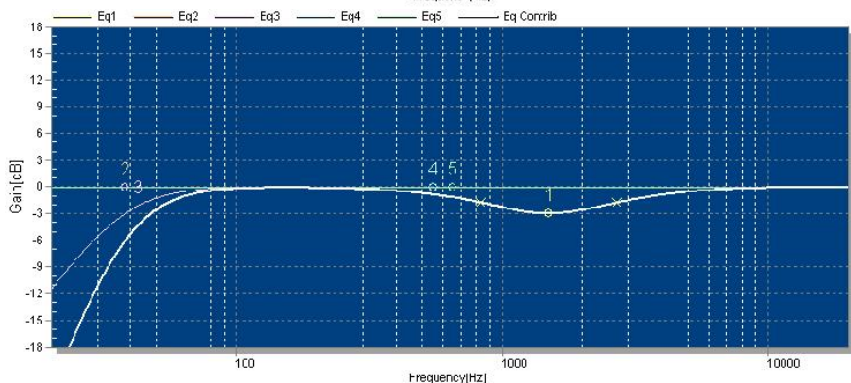


NEARFIELD

-3dB mid

(800Hz-3kHz)

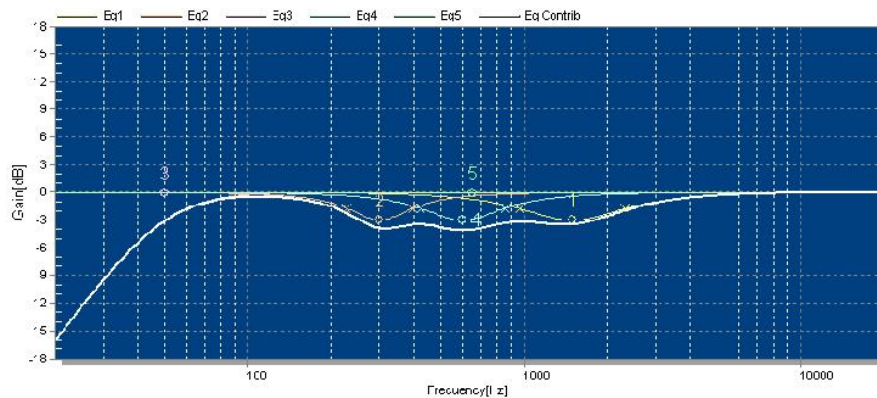
- Recintos pequeños
- Nivel medio
- Distancia corta
-media



NEARFIELD+

-3dB mid
(200Hz-3kHz)

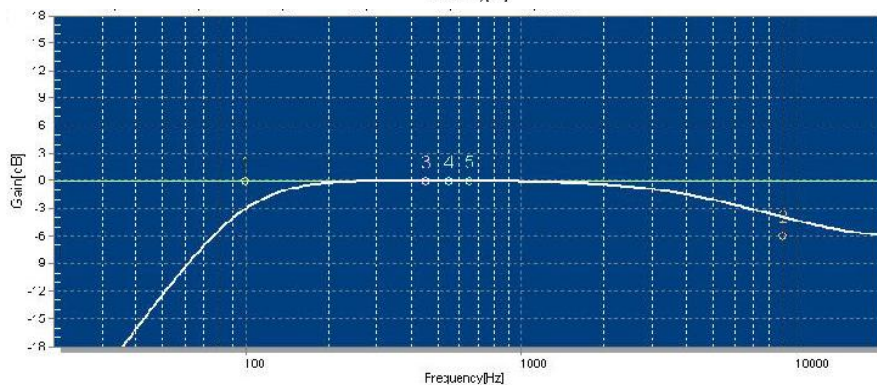
- Recintos pequeños
- Nivel medio
- Distancia corta
-media



SPEECH

-6dB low
-6dB high

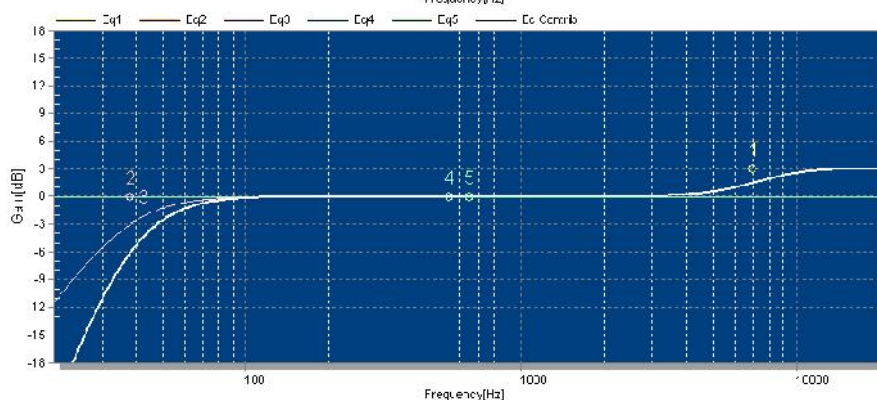
- Uso micrófono
- No importa nivel
ni distancia



DISCO

+3dB very High

- Uso en disco



XOVER

HPF 100Hz

- Uso con
subwoofer

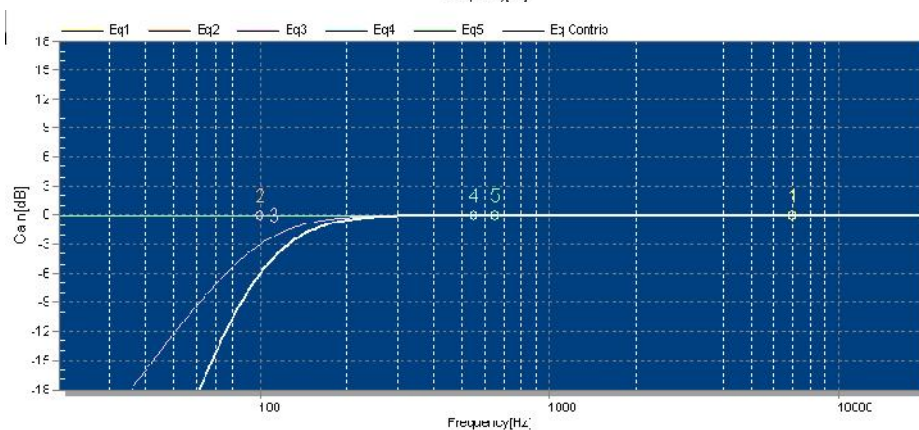


Fig.3. PRESETS recomendados para X15D

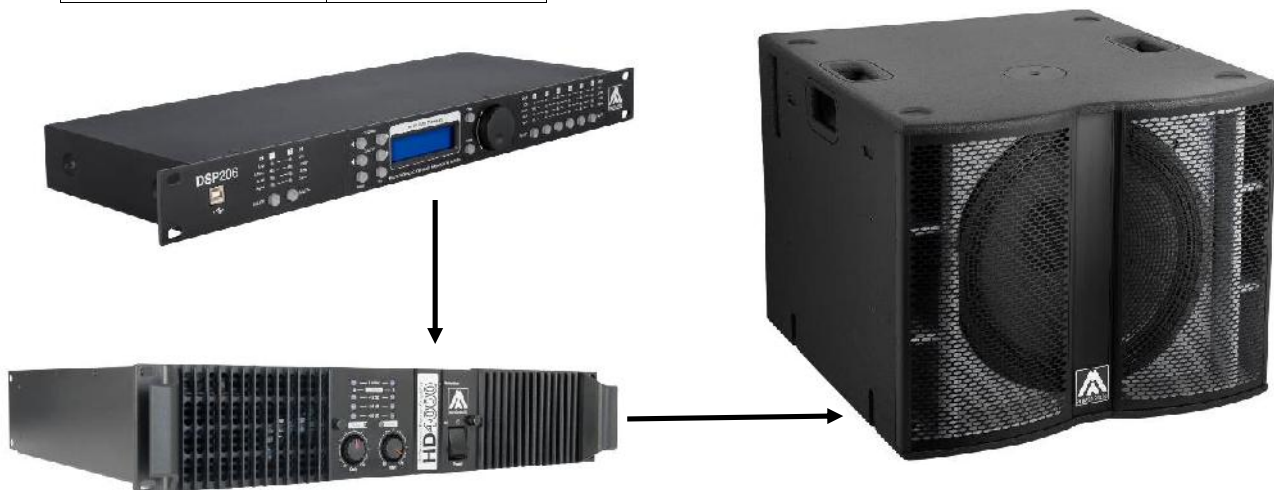
3. CARACTERÍSTICAS X18D

El recinto X18D es ideal para refuerzo de bajas frecuencias en general y especialmente para los modelos X15D. Los presets recomendados de fábrica (LPF80+3, LPF80+6, LPF90+3, LPF90+6, LPF100+3, LPF100+6, LPF110+3, LPF110+6, LPF120+3, LPF120+6, CARD80/90/100/110/120) lo convierten en un sistema fácil, flexible y muy cómodo de operar.

El woofer de 18" de neodimio utilizado, gracias a su exclusivo diseño magnético, combina excelente respuesta en bajas frecuencias, elevado rendimiento y baja distorsión. El resultado es un sonido profundo y de alta calidad perfectamente solapado con las unidades Full-Range según el preset que el usuario escoja o confeccione.

La cara superior del recinto incorpora base para barra estándar de 35mm.

Modelo	DSP206/608
---------------	------------



Modelo	HD4000
Modo	Bridge
Impedancia	4
Potencia programa	4000W

Modelo	X18D
Impedancia	4

Fig.4. Principales conexiones para X18D

3.1. Descripción técnica

El X18D es un recinto pasivo, con transductor de radiación directa y caja acústica bass reflex. Como sistema de refuerzo de graves su respuesta en frecuencia es de 32Hz-130Hz (-10 dB).

Los presets recomendados que pueden utilizarse con un DSP externo son los siguientes: el preset LPF80+3 significa filtro paso-bajo a 80Hz con boost de +3dB a 50Hz; el preset LPF80+6 significa filtro paso-bajo a 80Hz con boost de +6dB a

50Hz; el preset LPF90+3 significa filtro paso-bajo a 90Hz con boost de +3dB a 50Hz; el preset LPF90+6 significa filtro paso-bajo a 90Hz con boost de +6dB a 50Hz; el preset LPF100+3 significa filtro paso-bajo a 100Hz con boost de +3dB a 50Hz; el preset LPF100+6 significa filtro paso-bajo a 100Hz con boost de +6dB a 50Hz; el preset LPF110+3 significa filtro paso-bajo a 110Hz con boost de +3dB a 50Hz; el preset LPF110+6 significa filtro paso-bajo a 110Hz con boost de +6dB a 50Hz; el preset LPF120+3 significa filtro paso-bajo a 120Hz con boost de +3dB a 50Hz; el preset LPF120+6 significa filtro paso-bajo a 120Hz con boost de +6dB a 50Hz; CARD80/90/100/110/120 significa patrón polar cardioide en combinación con otros dos subwoofers adicionales X18D.

Al aumentar la frecuencia del filtro paso-bajo obtenemos más sensación de “pegada” pero el sonido pierde nitidez. Es decisión del usuario la utilización del preset más adecuado a su aplicación. La conexión del X18D se realiza mediante conectores Speakon Neutrik®.

Acabado en pintura negra y gris Polyurea de alta resistencia. La parte frontal está protegida por dos rejillas de acero de 1.5mm. Incluye dos asas superiores/laterales para un fácil y cómodo transporte.

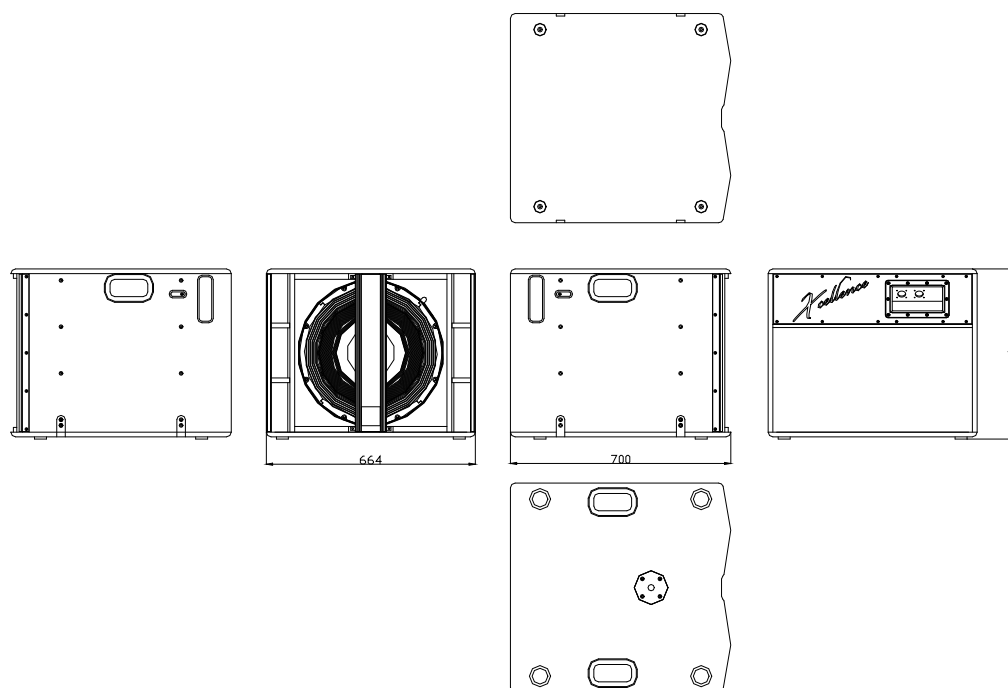


Fig.5. X18D dimensiones externas

3.2. Presets recomendados para X18D

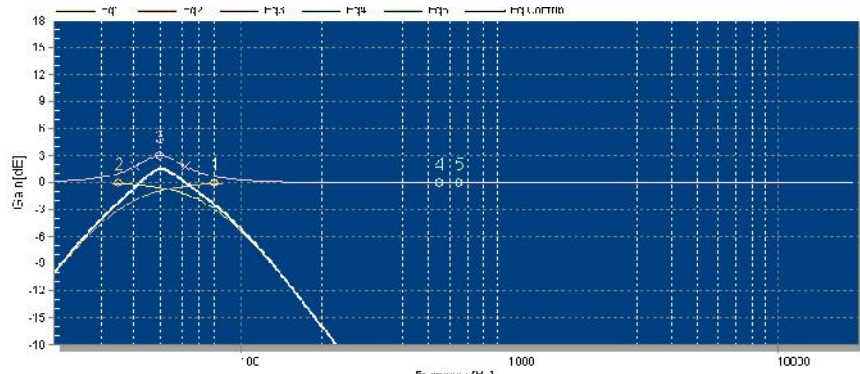
La X18D puede ser usada en conjunto con un procesador externo Amate Audio DSP206/608.

ATENCIÓN: Cuando el X18D se utiliza con los recintos X15D en preset XOVER, el X18D debe operar en polaridad positiva.

Cuando el X18D se utiliza con los recintos X15D en preset FLAT, NEARFIELD, NEARFIELD+, SPEECH, el X18D debe operar en polaridad negativa.

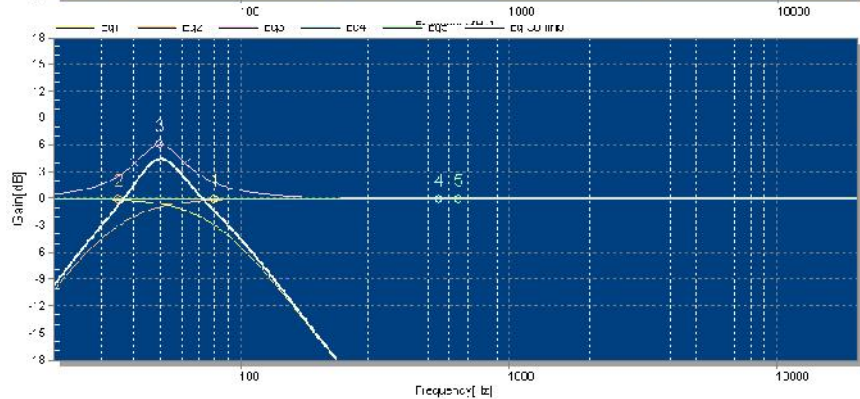
LPF80+3

Paso bajo
a 80Hz
con boost de +3dB
a 50Hz



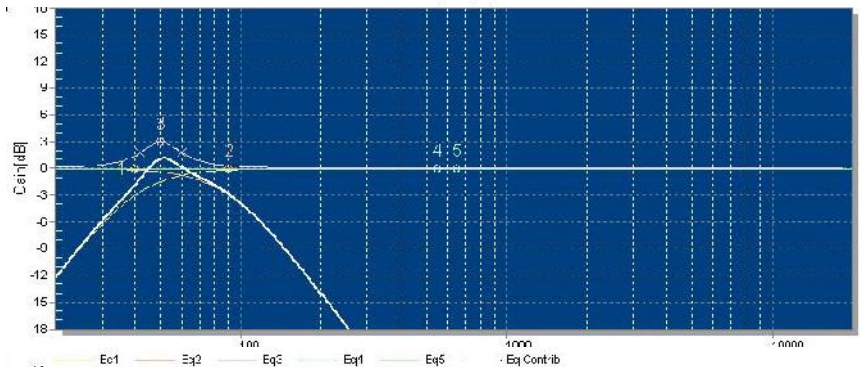
LPF80+6

Paso bajo
a 90Hz con boost
de +6dB a 50Hz



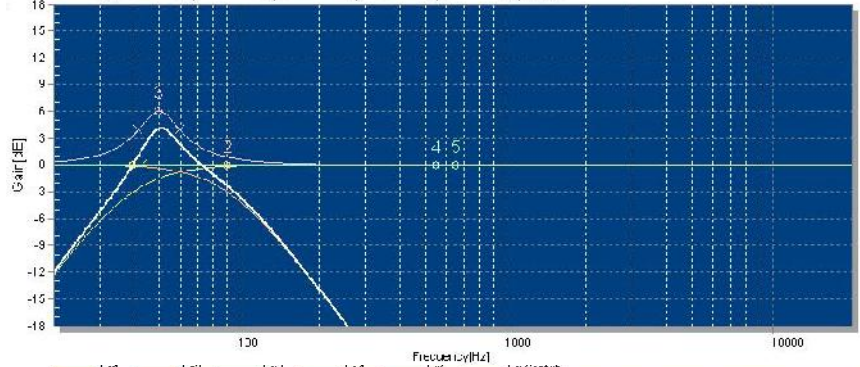
LPF90+3

Paso bajo
a 90Hz
con boost de +3dB
a 50Hz



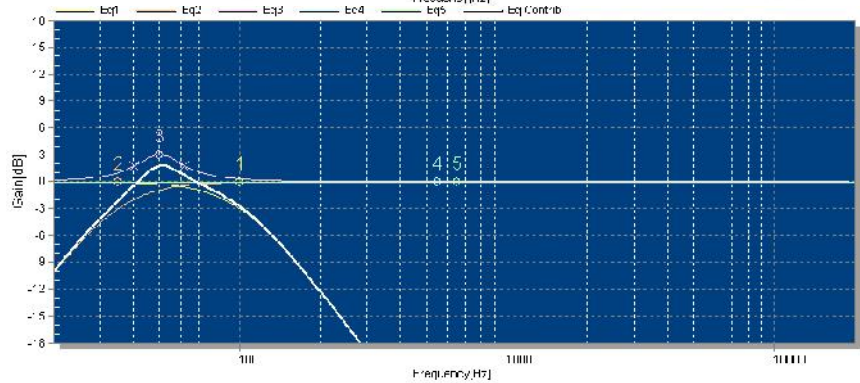
LPF90+6

Paso bajo
a 90Hz con boost
de +6dB a 50Hz



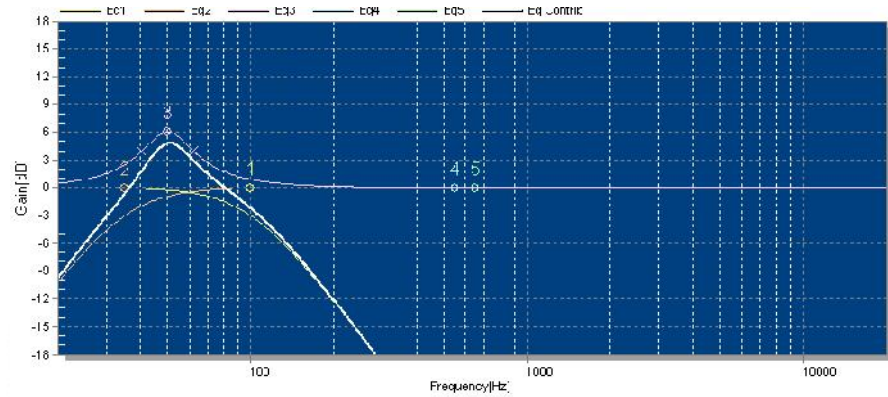
LPF100+3

Paso bajo
a 100Hz
con boost de +3dB
a 50Hz



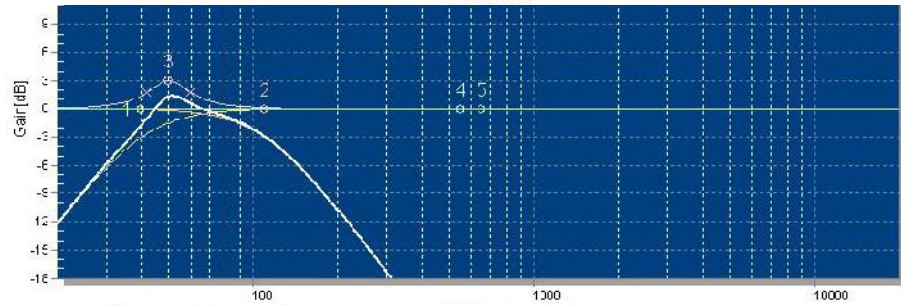
LPF100+6

Paso bajo a 100Hz con boost de +6dB a 50Hz



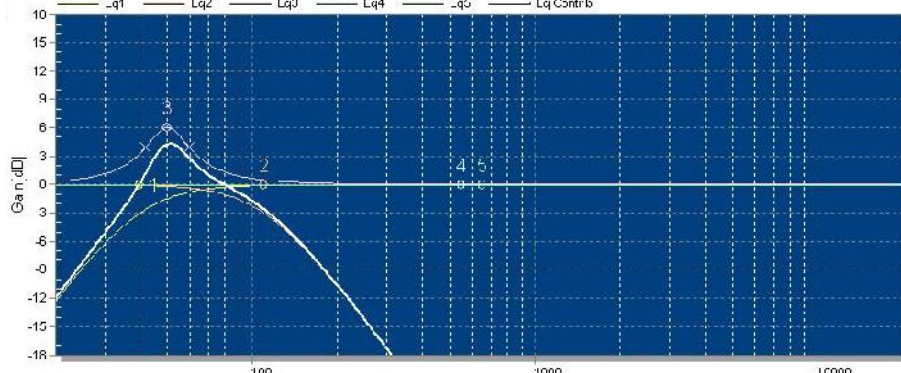
LPF110+3

Paso bajo a 110Hz con boost de +3dB a 50Hz



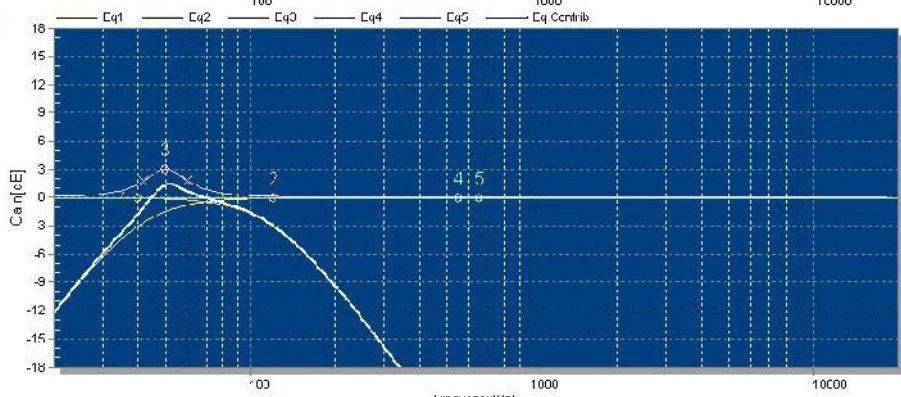
LPF110+6

Paso bajo a 110Hz con boost de +6dB a 50Hz



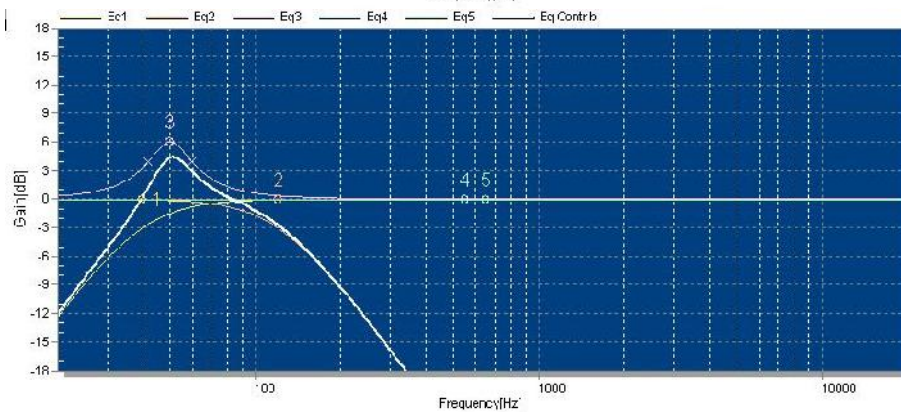
LPF120+3

Paso bajo a 120Hz con boost de +3dB a 50Hz



LPF120+6

Paso bajo a 120Hz con boost de +6dB a 50Hz



CARD80/90/100/110/120

(Patrón polar cardioide, con procesamiento, delay e inversión de la polaridad)

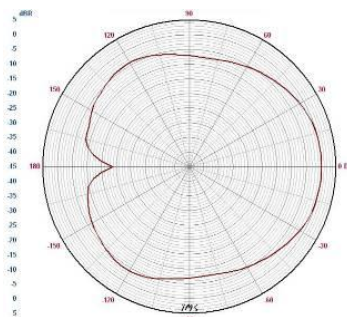


Fig.6. PRESETS recomendados para X18D

4. X218D SUBWOOFER

El recinto X218D es ideal para refuerzo de bajas frecuencias en general. Los presets recomendados de fábrica (LPF90, LPF90+3, LPF100, LPF100+3, LPF110, LPF110+3, LPF80, LPF80+3, CARD90, CARD100, CARD110) lo convierten en un sistema fácil, flexible y muy cómodo de operar.

Los woofers de 18" de neodimio utilizados, gracias a su exclusivo diseño magnético, combinan excelente respuesta en bajas frecuencias, elevado rendimiento y baja distorsión. Estas características son debidas principalmente a la presencia de anillos de demodulación que reducen drásticamente la intermodulación y la distorsión de tercer orden y mejoran considerablemente la respuesta transitoria, con una excelente disipación del calor debido a la posición externa del conjunto magnético.

El resultado es un sonido profundo y de alta calidad perfectamente solapado con las unidades top full-range, según el preset que el usuario escoja o confeccione. La cara superior del recinto incorpora base de M10 para acople con estructura de stacking (FR-X210, FR-X208).

Modelo	DSP206/608
---------------	------------



Modelo	HD4000
Modo	Bridge
Impedancia	4
Potencia programa	4000W

Modelo	X218D
Impedancia	4

Fig.7. Principales conexiones para X218D

4.1. Descripción técnica

El X218D es un recinto pasivo con caja acústica bass-reflex. Como sistema de refuerzo de graves su banda útil es 28Hz-120Hz (-10dB). Los presets recomendados que pueden utilizarse con un DSP externo son los siguientes: el preset LPF90 significa filtro paso-bajo a 90Hz; LPF90+3 significa filtro paso-bajo a 90Hz con boost de +3dB a 44Hz, LPF100 significa filtro paso-bajo a 100Hz; LPF100+3 significa filtro paso-bajo a 100Hz con boost de +3dB a 44Hz, LPF110 contiene filtro paso-bajo a 110Hz; LPF110+3 contiene filtro paso-bajo a 110Hz con boost de +3dB a 44Hz, LPF80 significa filtro paso-bajo a 80Hz; LPF80+3 significa filtro paso-bajo a 80Hz con boost de +3dB a 44Hz y CARD90/100/110 permite obtener un patrón cardioide combinando el subwoofer con dos unidades adicionales X218D.

Al aumentar la frecuencia del filtro paso-bajo obtenemos más sensación de “pegada” pero el sonido pierde nitidez. Es decisión del usuario la utilización del preset más adecuado a su aplicación. La conexión del X218D se realiza mediante conectores Speakon Neutrik®. Construido en tablero multicapa de abedul de alta resistencia a las vibraciones y humedad. Acabado en pintura negra y gris Polyurea de alta resistencia. La parte frontal está protegida por dos rejillas de acero de 1.5mm.

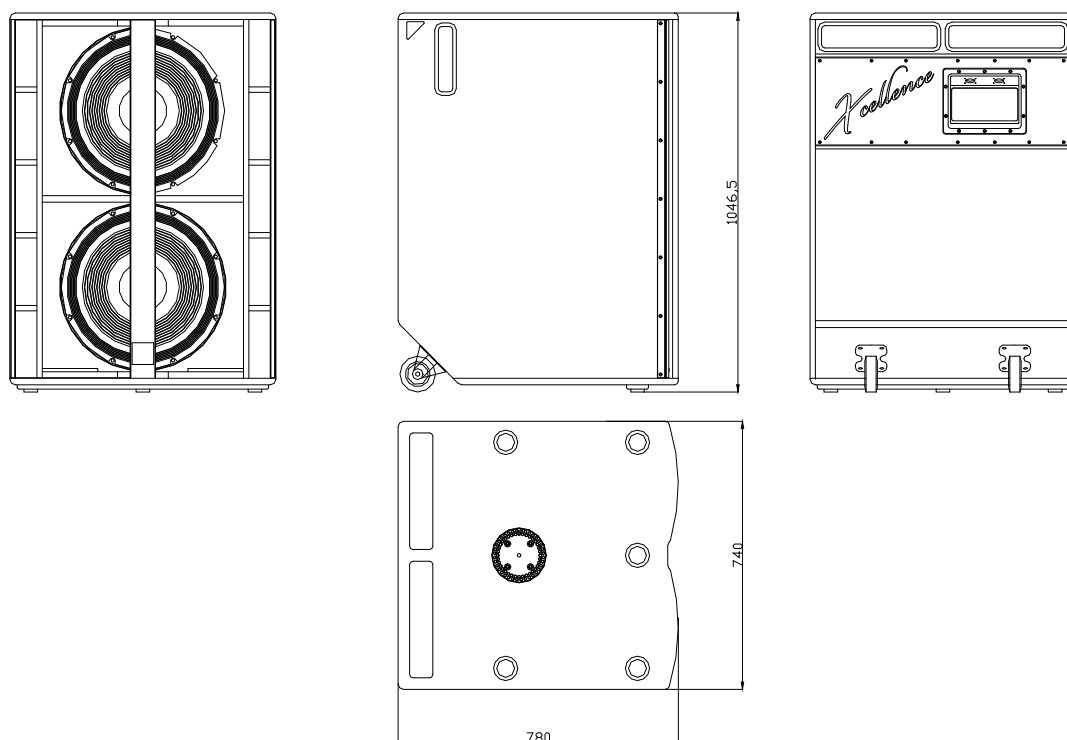


Fig.8. X218D dimensiones externas

4.2. Presets recomendados para X218D

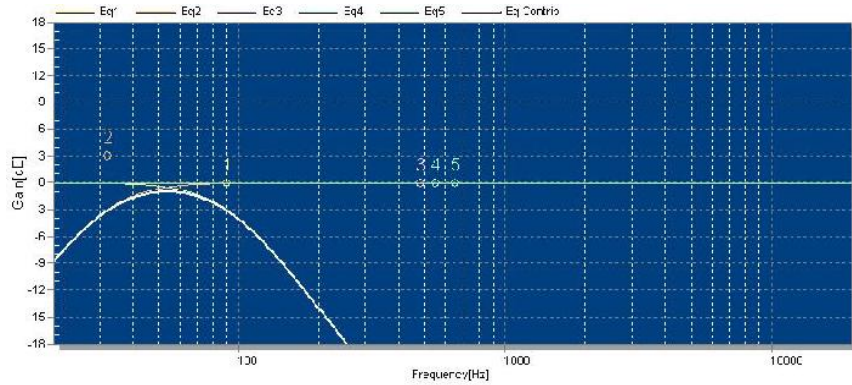
La X218D puede ser usada en conjunto con un procesador externo Amate Audio DSP206/608.

ATENCIÓN: Cuando el X218D se utiliza con los recintos X15D en preset XOVER, el X218D debe operar en polaridad positiva.

Cuando el X218D se utiliza con los recintos X15D en preset FLAT, NEARFIELD, NEARFIELD+, SPEECH el X218D debe operar en polaridad negativa.

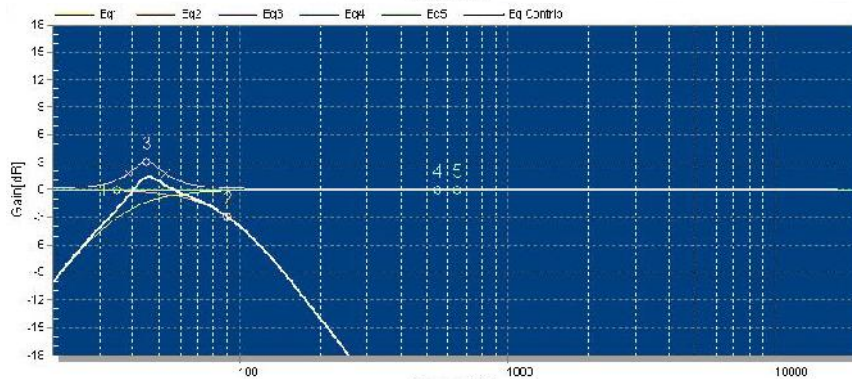
LPF90

Paso bajo a 90Hz



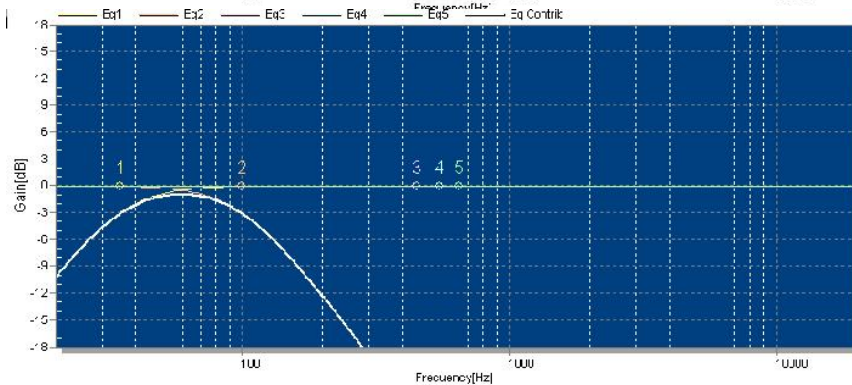
LPF90+3

Paso bajo a 90Hz con boost +3dB a 44Hz



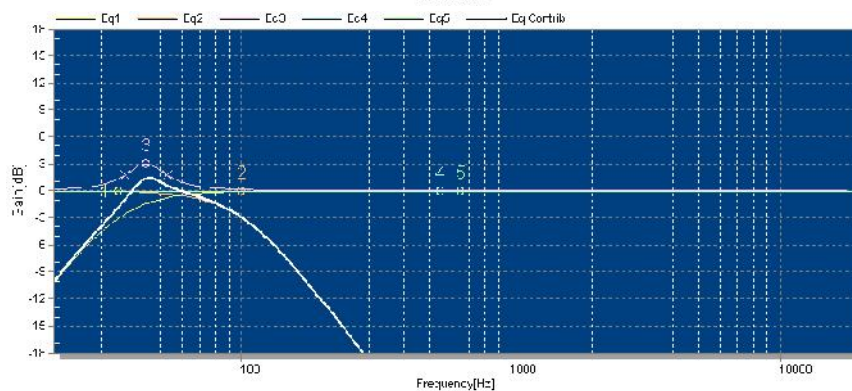
LPF100

Paso bajo a 100Hz



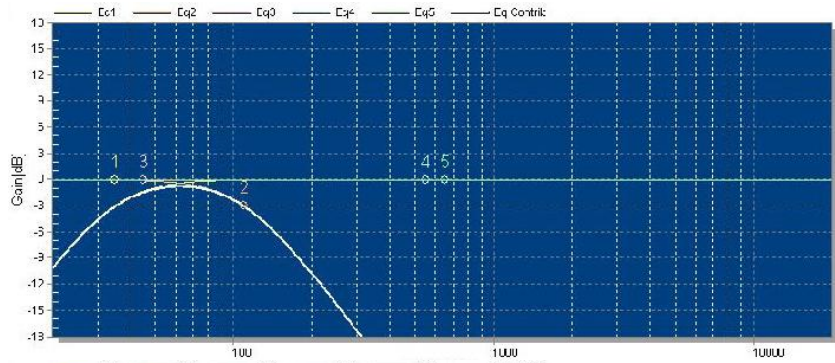
LPF100+3

Paso bajo a 100Hz con boost +3dB a 44Hz



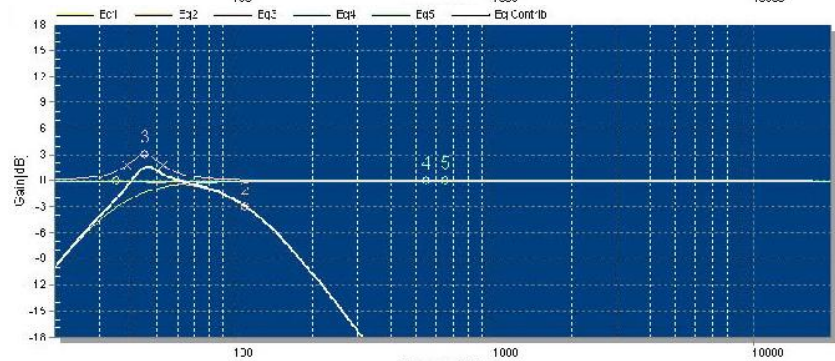
LPF110

Paso bajo a 110Hz



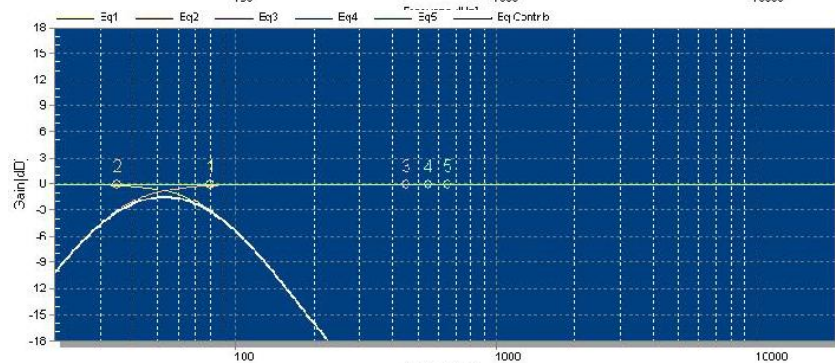
LPF110+3

Paso bajo a 110Hz con boost+3dB a 44Hz



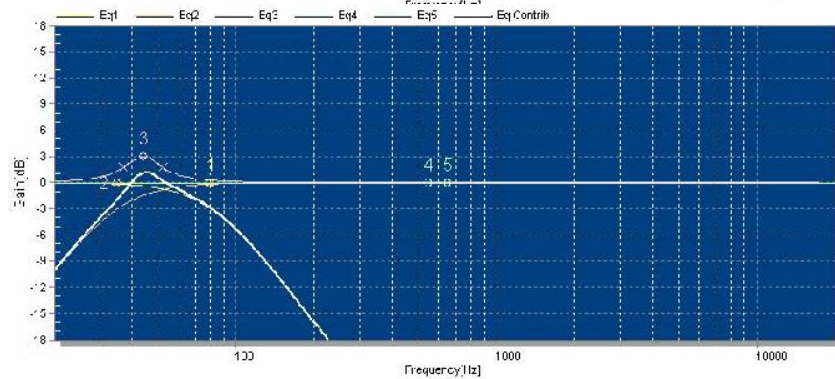
LPF80

Paso bajo a 80Hz



LPF80+3

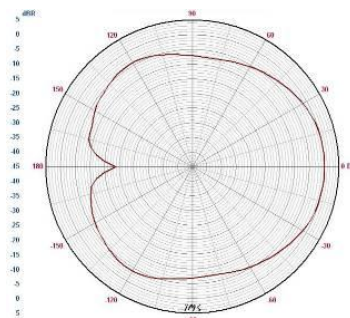
Paso bajo a 80Hz con boost +3dB a 44Hz



CARD90/100/110

(Patrón polar cardioide, con procesamiento, delay e inversión de la polaridad)

Fig.9. PRESETS recomendados para X218D



5. CARACTERÍSTICAS X21D

El recinto X21D es ideal para refuerzo de bajas frecuencias en general. Los presets recomendados de fábrica (LPF80, LPF80+3, LPF90, LPF90+3, LPF100, LPF100+3, LPF110, LPF110+3, LPF120, LPF120+3, CARD80/90/100/110/120) lo convierten en un sistema fácil, flexible y muy cómodo de operar.

El woofer de 21" de neodimio utilizado, gracias a su exclusivo diseño magnético, combina excelente respuesta en bajas frecuencias, elevado rendimiento y baja distorsión. El resultado es un sonido profundo y de alta calidad perfectamente solapado con las unidades Full-Range según el preset que el usuario escoja o confeccione.

La cara superior del recinto incorpora base de M10 para acople con estructura de stacking (FR-X210, FR-X208).

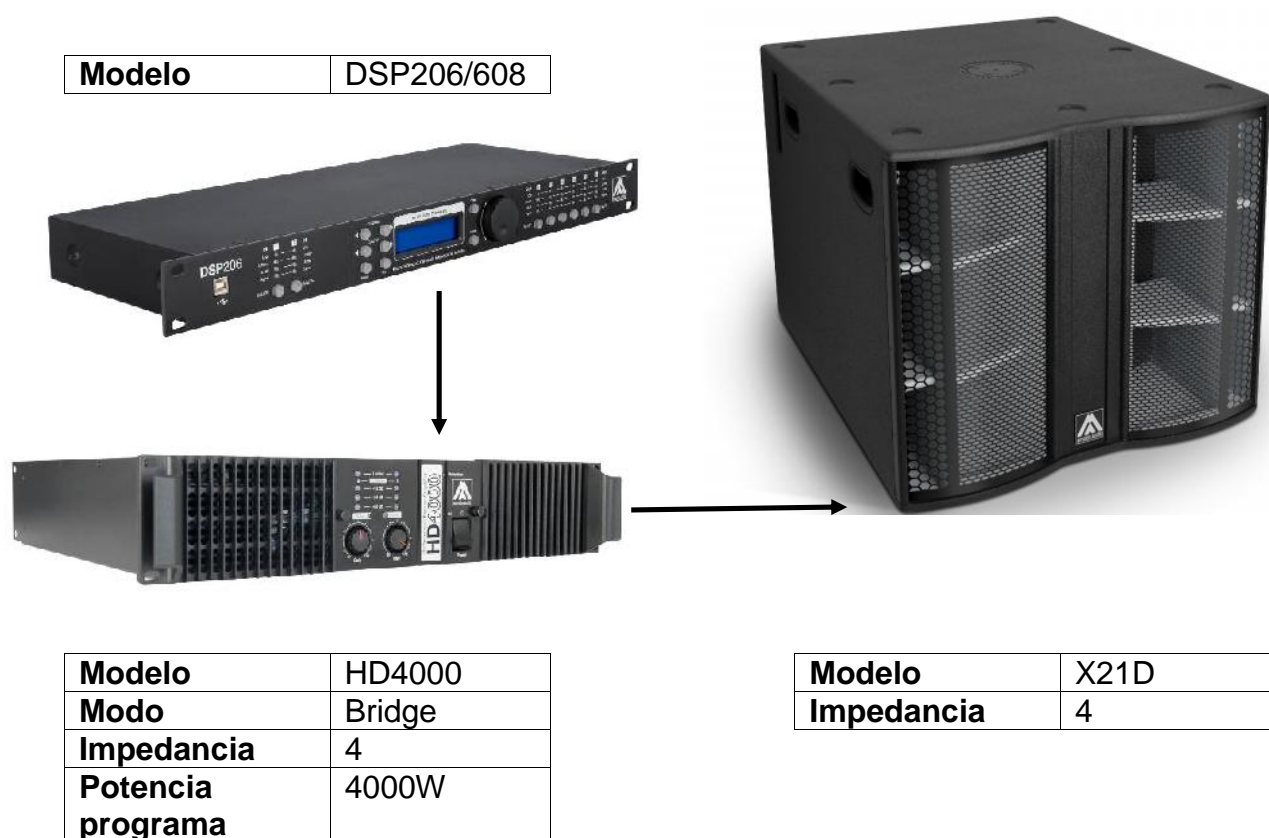


Fig.10. Principales conexiones para X21D

5.1. Descripción técnica

El X21D es un recinto pasivo con caja acústica bandpass. Como sistema de refuerzo de graves su respuesta en frecuencia es de 28Hz-120Hz (-10 dB).

Los presets recomendados que pueden utilizarse con un DSP externo son los siguientes: el preset LPF80 significa filtro paso-bajo a 80Hz; el preset LPF80+3 significa filtro paso-bajo a 80Hz con boost de +3dB a 40Hz; el preset LPF90 significa filtro paso-bajo a 90Hz; el preset LPF90+3 significa filtro paso-bajo a 90Hz con boost

de +3dB a 40Hz; el preset LPF100 significa filtro paso-bajo a 100Hz; el preset LPF100+3 significa filtro paso-bajo a 100Hz con boost de +3dB a 40Hz; el preset LPF110 significa filtro paso-bajo a 110Hz; el preset LPF110+3 significa filtro paso-bajo a 110Hz con boost de +3dB a 40Hz; el preset LPF120 significa filtro paso-bajo a 120Hz; el preset LPF120+3 significa filtro paso-bajo a 120Hz con boost de +3dB a 40Hz; CARD80/90/100/110/120 significa patrón polar cardioide en combinación con otros dos subwoofers adicionales X21D.

Al aumentar la frecuencia del filtro paso-bajo obtenemos más sensación de “pegada” pero el sonido pierde nitidez. Es decisión del usuario la utilización del preset más adecuado a su aplicación. La conexión del X21D se realiza mediante conectores Speakon Neutrik®. Construido en tablero multicapa de abedul de alta resistencia a las vibraciones y humedad.

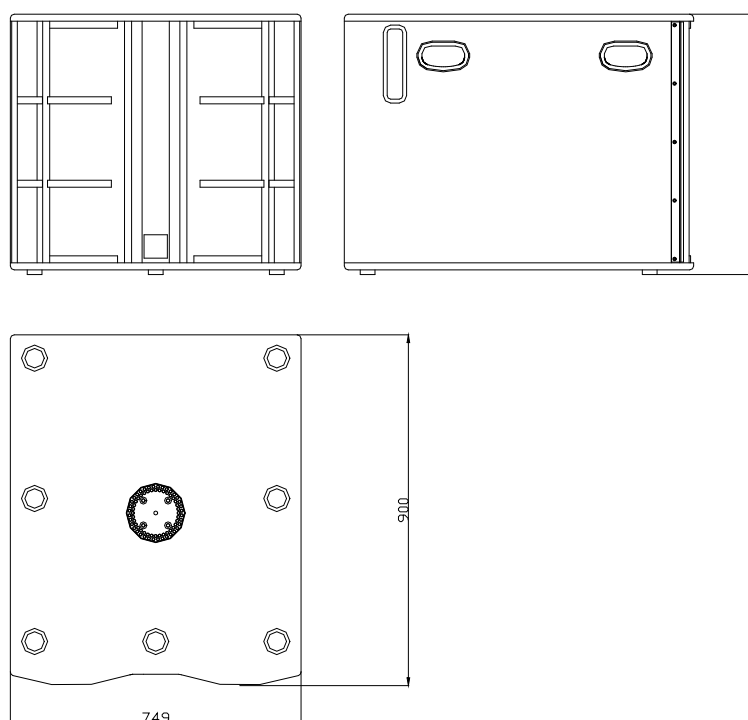


Fig.11. X21D dimensiones externas

Acabado en pintura negra y gris Polyurea de alta resistencia. La parte frontal está protegida por dos rejillas de acero de 1.5mm. Incluye cuatro asas laterales para un fácil y cómodo transporte

5.2. Presets recomendados para X21D

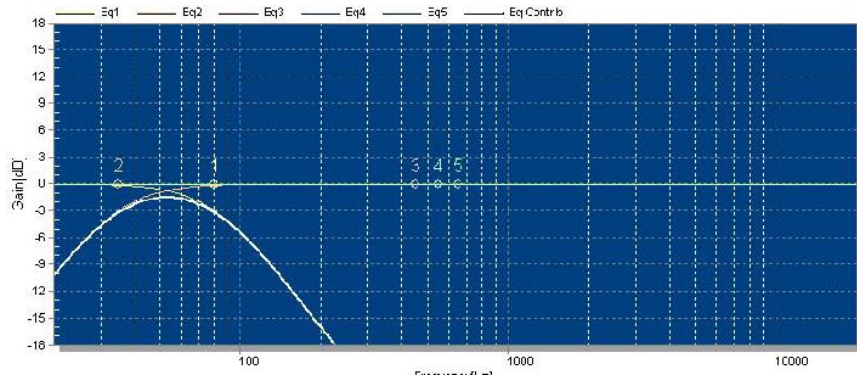
La X21D puede ser usada en conjunto con un procesador externo Amate Audio DSP206/608.

ATENCIÓN: Cuando el X21D se utiliza con los recintos X15D en preset XOVER, el X21D debe operar en polaridad positiva.

Cuando el X21D se utiliza con los recintos X15D en preset FLAT, NEARFIELD, NEARFIELD+, SPEECH el X21D debe operar en polaridad negativa.

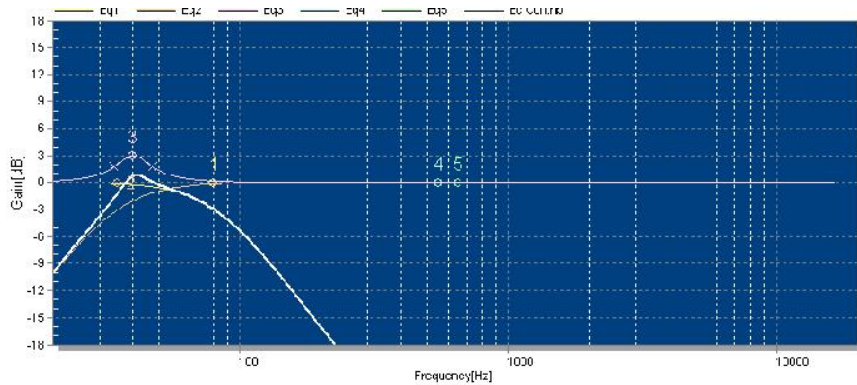
LPF80

Paso bajo a 80Hz



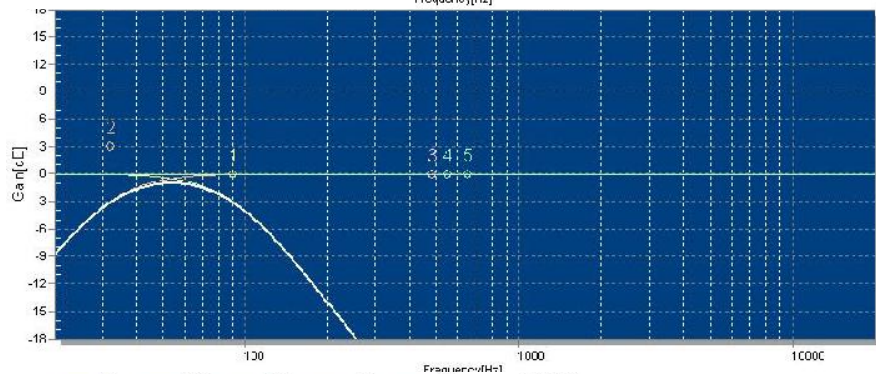
LPF80+3

Paso bajo a 80Hz con boost de +3dB a 40Hz



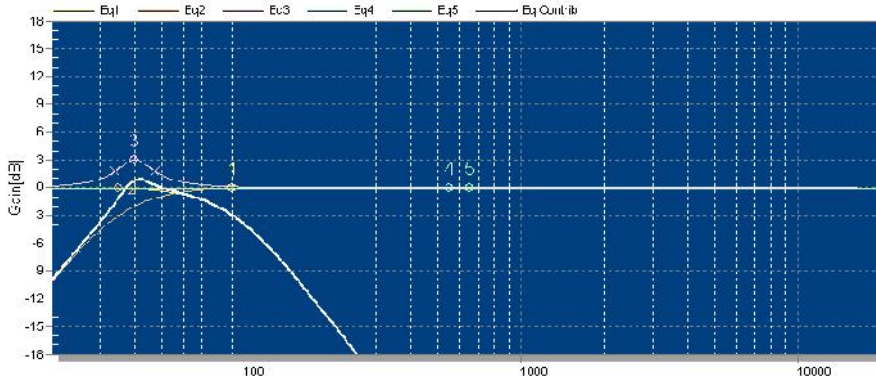
LPF90

Paso bajo a 90Hz



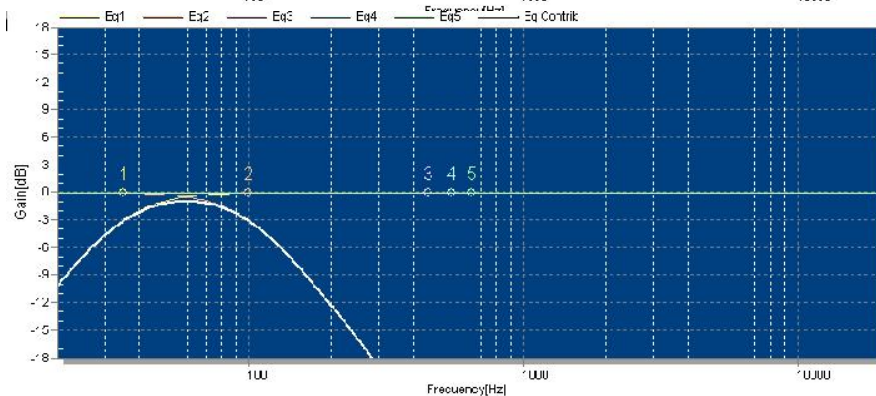
LPF90+3

Paso bajo a 90Hz con boost de +3dB a 40Hz



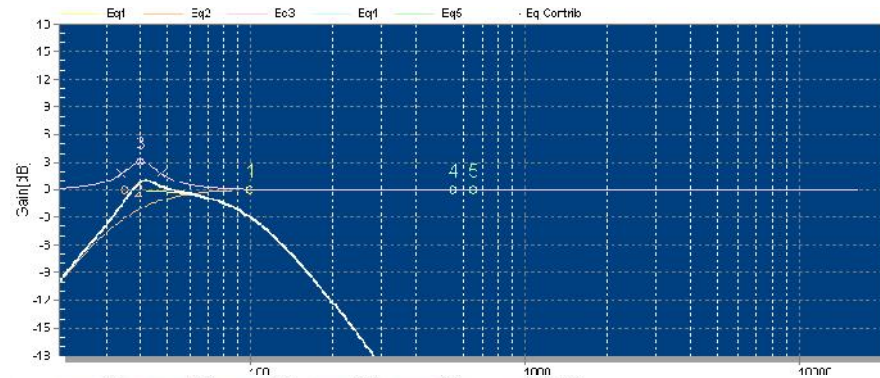
LPF100

Paso bajo a 100Hz



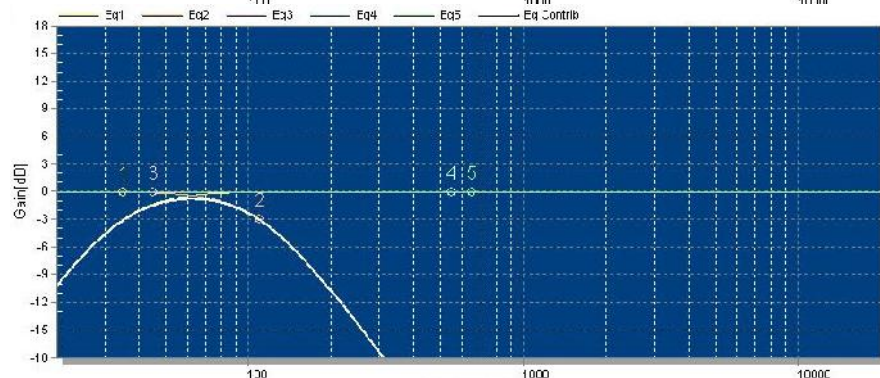
LPF100+3

Paso bajo a
a 100Hz
con boost de +3dB
a 40Hz



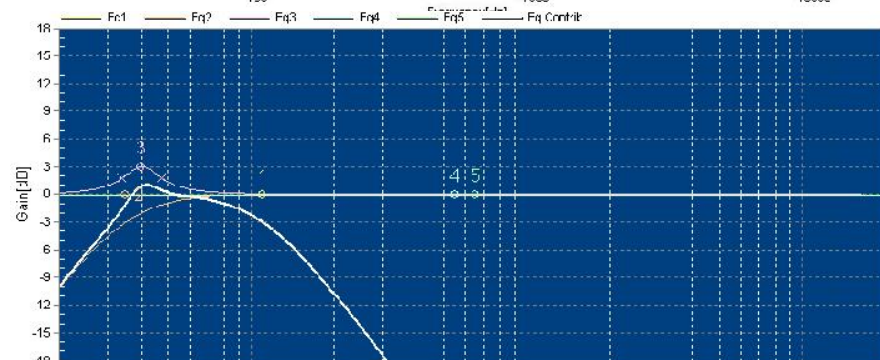
LPF110

Paso bajo a
a 110Hz



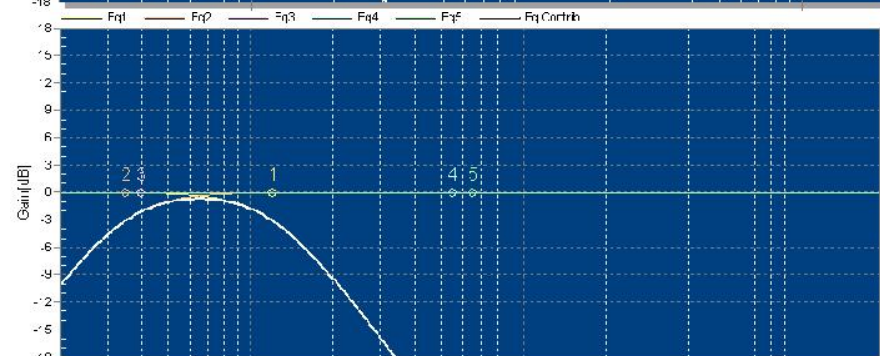
LPF110+3

Paso bajo a
a 110Hz con boost
de +3dB a 40Hz



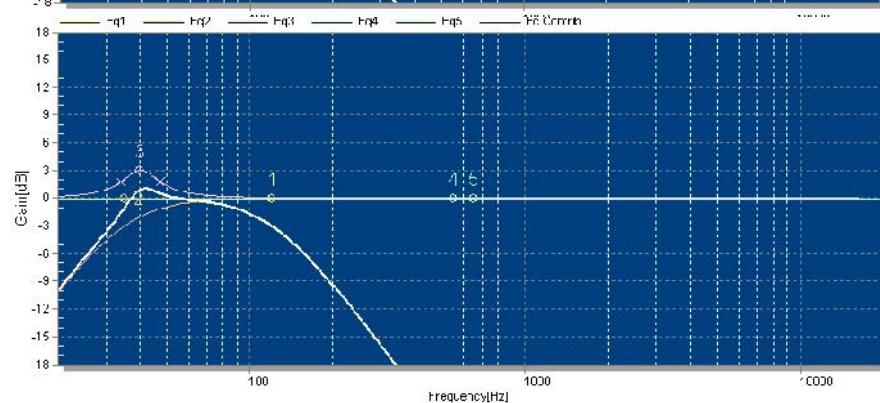
LPF120

Paso bajo a
a 120Hz



LPF120+3

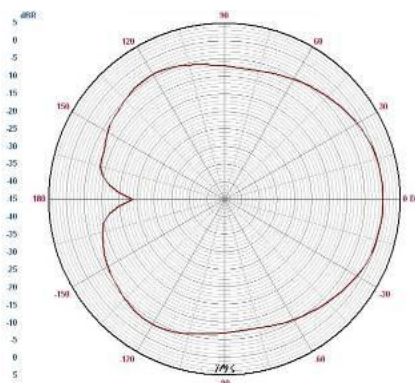
Paso bajo a 120Hz
con boost de +3dB
a 40Hz



CARD80/90/100/110/120

(Patrón polar cardioide,
con procesamiento, delay
e inversión de la polaridad)

Fig.12. PRESETS recomendados
para X21D

**6. PANEL DE CONEXIONES**

Todos los paneles de conexión contienen los siguientes elementos:

A) SPEAKON: Terminales Speakon. Las conexiones del conector NL4 son las siguientes:

PIN+1/-1: señal de audio procedente del amplificador.

ATENCIÓN: Respetar la POLARIDAD +/-

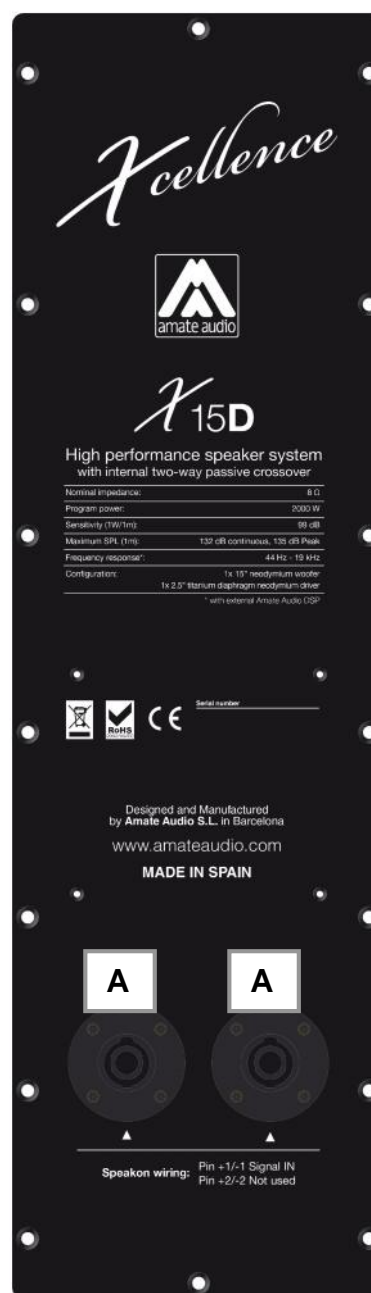
PIN+2/-2: sin conexión



Utilice en lo posible cable-manguera de varios conductores, sin apantallar, y de buena calidad. Se recomienda el uso de una sección de 4mm² como mínimo para cada conductor que transporte señal de potencia (+1/-1)

Evítese largas distancias de cableado ya que provocan importantes pérdidas de potencia y calidad

Fig.13. Panel de conexiones X15D



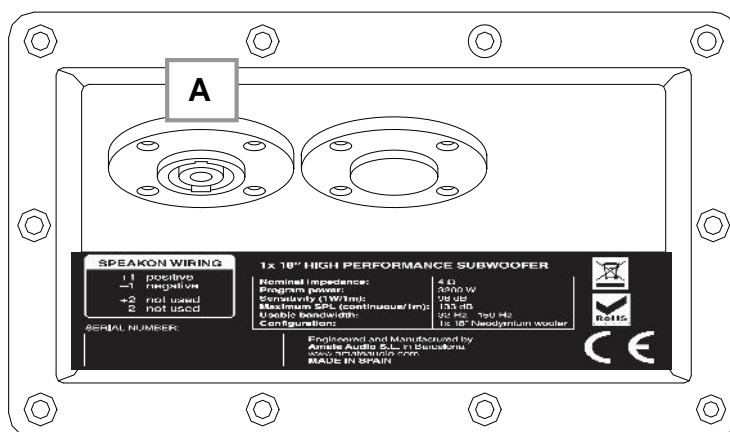


Fig.14. Panel de conexiones X18D



Fig.15. Panel de conexiones X218D

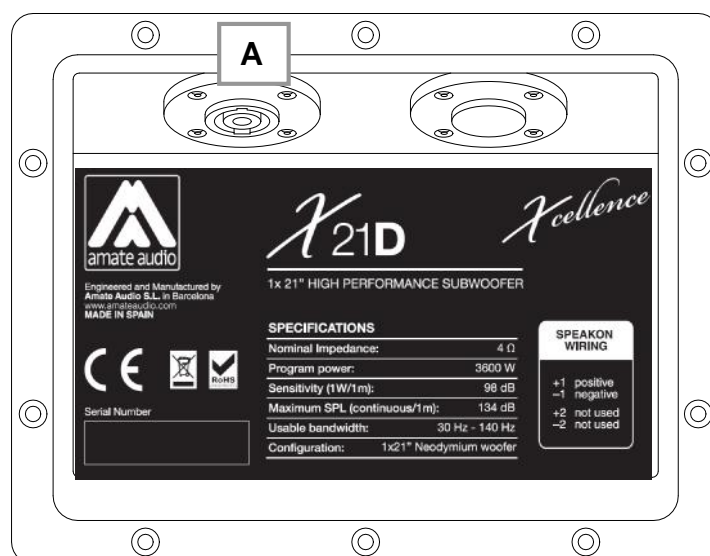


Fig.16. Panel de conexiones X21D

7. SUBWOOFERS CARDIODES

Los subwoofers X18D, X21D y X218D permiten un funcionamiento cardioide en combinación con tres (o múltiples de tres) unidades del mismo modelo. El control de la directividad a bajas frecuencias es muy importante en la reproducción del sonido: primeramente, se produce una reducción del nivel de presión sonora detrás de los subwoofers y, en consecuencia, se puede conseguir un escenario limpio de sonido de bajas frecuencias; en segundo lugar, en lugares cerrados, se reduce el campo sonoro difuso y los modos de la sala se excitan en un grado mucho más bajo. Por lo tanto, los subwoofers son menos sensibles a los modos propios del recinto.

El rango de funcionamiento típico de un subwoofer tradicional tiende a ser como el de un monopolo, es decir, tiende a irradiar con la misma energía hacia todas las direcciones. Este comportamiento implica que el control de la radiación a bajas frecuencias sea muy complicado porque las longitudes de onda son muy grandes en comparación con el tamaño de la fuente (8,5m a 40Hz).

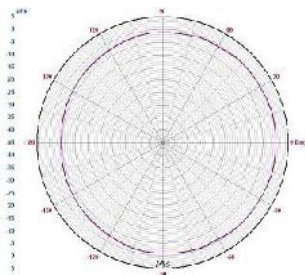


Fig.17. Patrón polar típico de un subwoofer a 40Hz

Para aumentar la directividad a bajas frecuencias debemos transformar el comportamiento omnidireccional a cardioide. Esto sólo se puede conseguir con varias fuentes, colocadas en una determinada posición, a las cuales se les aplica una fase, un filtrado y un delay determinado. Es decir, debemos conseguir reproducir dos señales de la misma frecuencia y similar amplitud que, cuando se encuentran en un punto específico del medio en el cual se propagan, presenten una diferencia de fase de 180° aproximadamente.

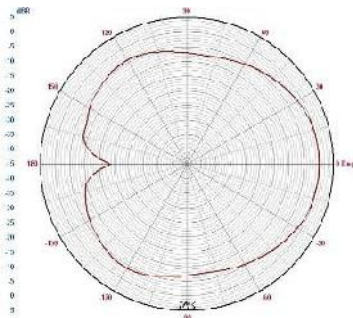


Fig.18. Patrón cardioide

7.1. Los presets CARDIOID

Los recintos X18D, X218D y X21D pueden generar un comportamiento cardioide si usamos un procesador externo Amate Audio con los parámetros de set-up adecuados. En su configuración básica se necesitan tres unidades apiladas (para el X18D y X21D) y tres unidades alineadas horizontalmente (para el X218D).

Sólo un subwoofer es necesario para compensar la energía de las otras dos unidades que radian frontalmente. Por lo tanto, la unidad que radia hacia atrás (hacia el escenario) debe estar colocada en el centro de la columna.

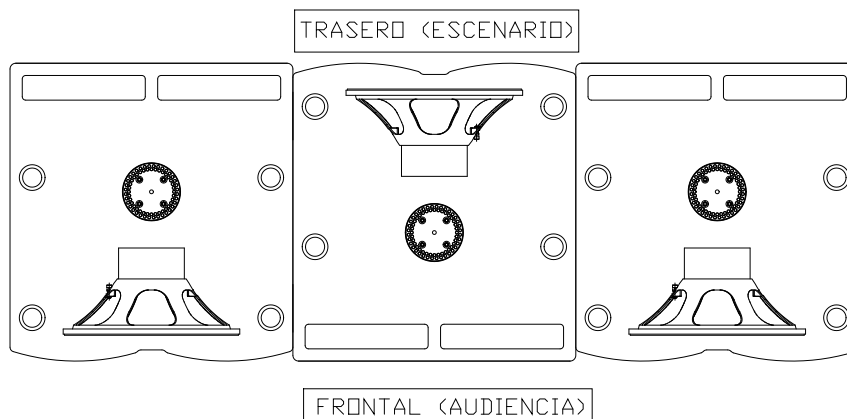


Fig.19. Configuración cardioide básica para X218D

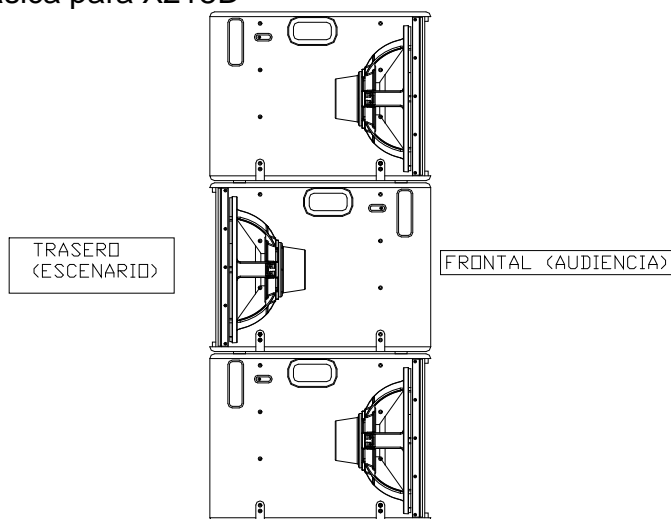


Fig.20. Configuración cardioide básica para X18D

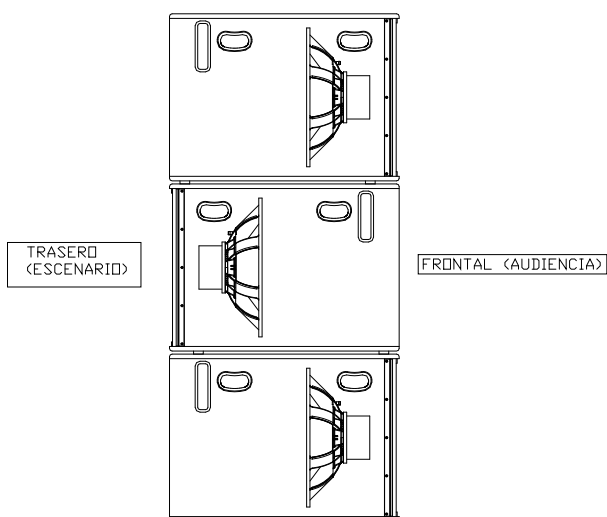


Fig.21. Configuración cardioide básica para X21D

Para el X18D escoja una de las siguientes opciones:

- a) los subwoofers que radian frontalmente (hacia el público) deben estar con el preset [LPF80+3] y el subwoofer que radia hacia atrás (escenario) debe estar con el preset [CARD80] seleccionado.
- b) los subwoofers que radian frontalmente (hacia el público) deben estar con el preset [LPF90+3] y el subwoofer que radia hacia atrás (escenario) debe estar con el preset [CARD90] seleccionado.
- c) los subwoofers que radian frontalmente (hacia el público) deben estar con el preset [LPF100+3] y el subwoofer que radia hacia atrás (escenario) debe estar con el preset [CARD100] seleccionado.
- d) los subwoofers que radian frontalmente (hacia el público) deben estar con el preset [LPF110+3] y el subwoofer que radia hacia atrás (escenario) debe estar con el preset [CARD110] seleccionado.
- e) los subwoofers que radian frontalmente (hacia el público) deben estar con el preset [LPF120+3] y el subwoofer que radia hacia atrás (escenario) debe estar con el preset [CARD120] seleccionado.

Para el X21D escoja una de las siguientes opciones:

- a) los subwoofers que radian frontalmente (hacia el público) deben estar con el preset [LPF80] y el subwoofer que radia hacia atrás (escenario) debe estar con el preset [CARD80] seleccionado ó
- b) los subwoofers que radian frontalmente (hacia el público) deben estar con el preset [LPF90] y el subwoofer que radia hacia atrás (escenario) debe estar con el preset [CARD90] seleccionado ó
- c) los subwoofers que radian frontalmente (hacia el público) deben estar con el preset [LPF100] y el subwoofer que radia hacia atrás (escenario) debe estar con el preset [CARD100] seleccionado ó
- d) los subwoofers que radian frontalmente (hacia el público) deben estar con el preset [LPF110] y el subwoofer que radia hacia atrás (escenario) debe estar con el preset [CARD110] seleccionado ó
- e) los subwoofers que radian frontalmente (hacia el público) deben estar con el preset [LPF120] y el subwoofer que radia hacia atrás (escenario) debe estar con el preset [CARD120] seleccionado.

Para el X218D escoja una de las tres siguientes opciones:

- a) los subwoofers que radian frontalmente (hacia el público) deben estar con el preset [LPF90] y el subwoofer que radia hacia atrás (escenario) debe estar con el preset [CARD90] seleccionado ó
- b) los subwoofers que radian frontalmente (hacia el público) deben estar con el preset [LPF100] y el subwoofer que radia hacia atrás (escenario) debe estar con el preset [CARD100] seleccionado ó
- c) los subwoofers que radian frontalmente (hacia el público) deben estar con el preset [LPF110] y el subwoofer que radia hacia atrás (escenario) debe estar con el preset [CARD110] seleccionado.

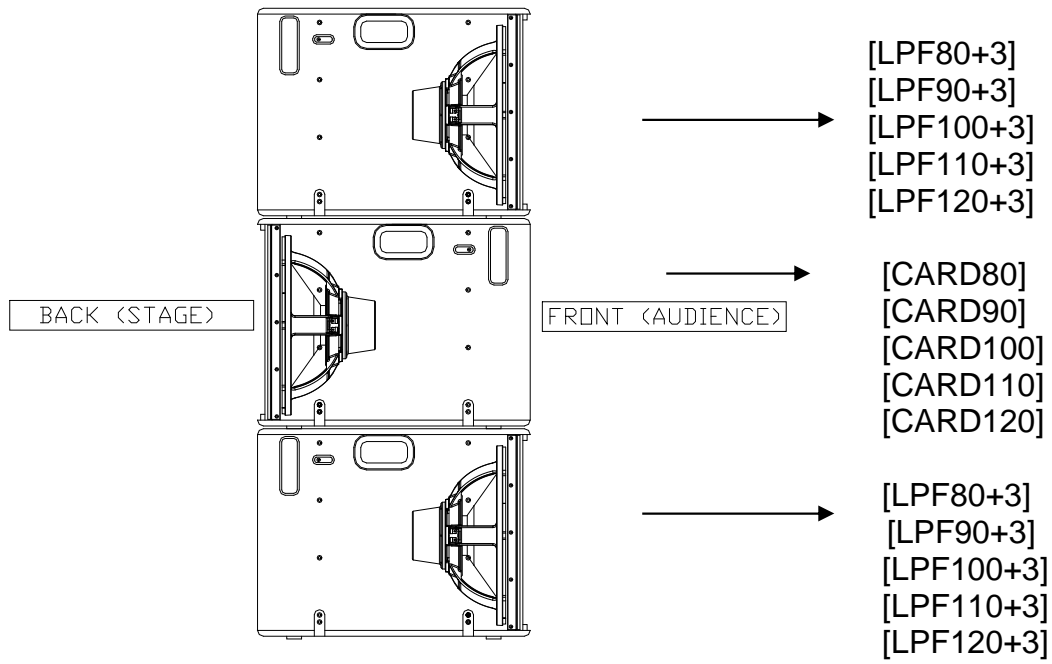


Fig.22. Presets cardioides para subwoofer X18D

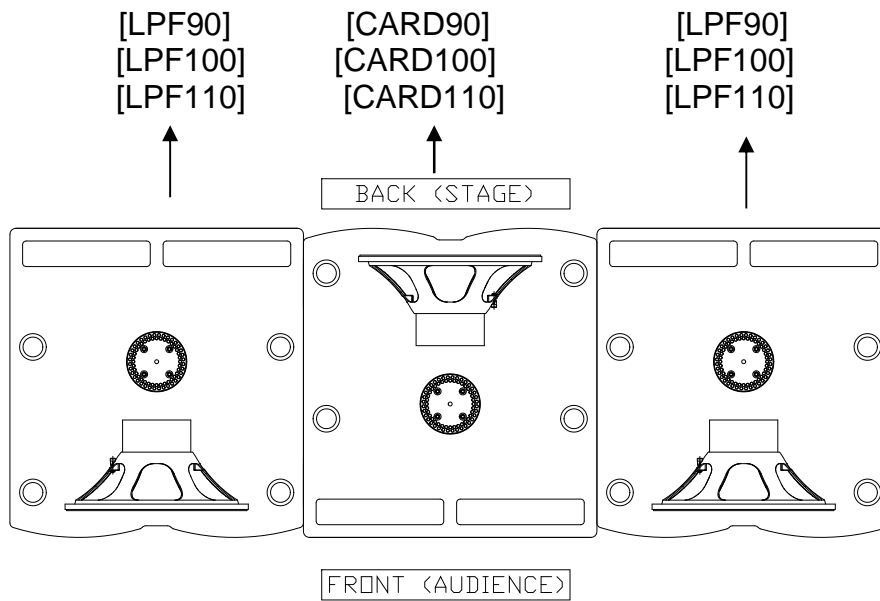


Fig.23. Presets cardioides para subwoofer X218D

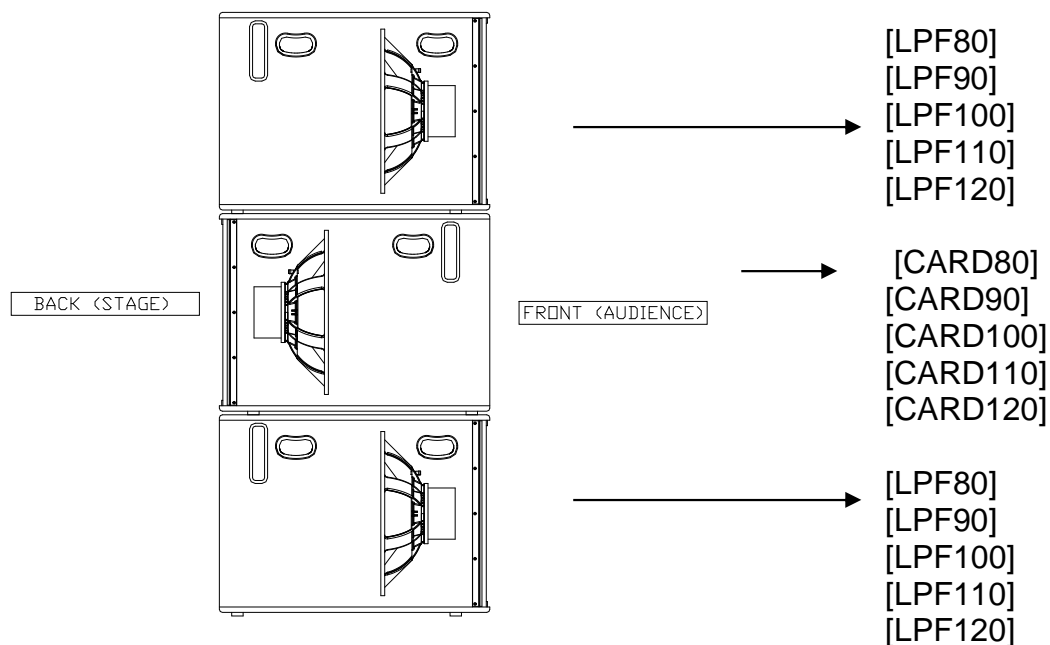


Fig.24. Presets cardioides para subwoofer X21D

Deje un espacio mínimo de 60cm entre los subwoofers y las paredes para evitar que éstas afecten a la radiación del recinto que está orientado hacia atrás (hacia el escenario).

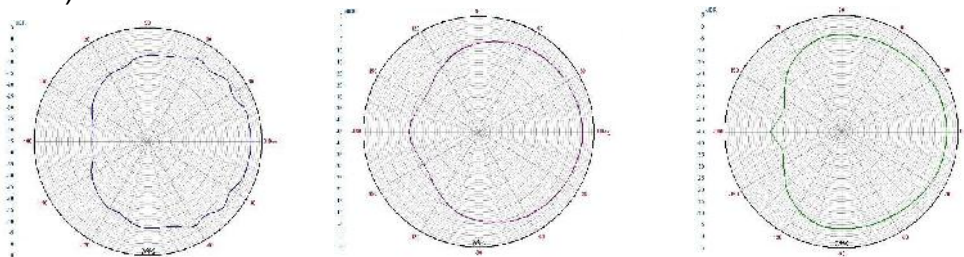


Fig.25. Rechazo de energía trasera a 40Hz / 50Hz / 63Hz

IMPORTANTE: Si el usuario desea ajustar su propio preset CARDIOID existe un manual específico de ajuste. Contacte con el departamento comercial de Amate Audio para más información.

8. CONEXIONADO

8.1. Conexión Full-range estéreo

Conectar cada salida del amplificador LEFT/RIGHT a cada unidad, mediante dos mangueras, independientemente.

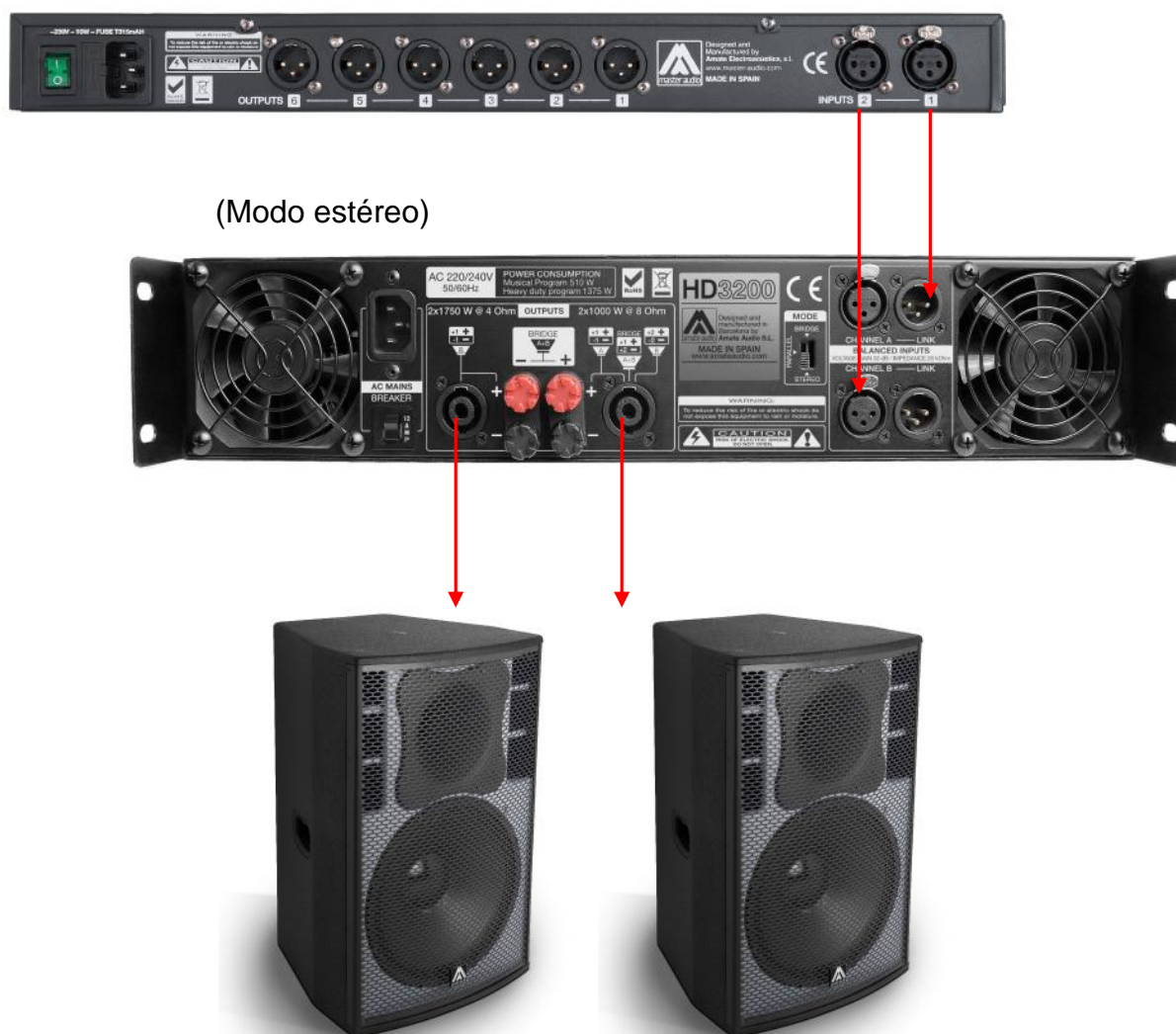


Fig.26. Configuración Full-range estéreo

8.2. Conexión Full-Range en paralelo

Conectar una primera caja desde la salida del amplificador a su entrada de Speakon, respetando siempre la polaridad positivo +1, negativo -1. A continuación, realizar un puente mediante manguera, desde esta primera caja a la segunda. Con esta configuración podrá conectar, por ejemplo, cuatro cajas a un mismo amplificador.

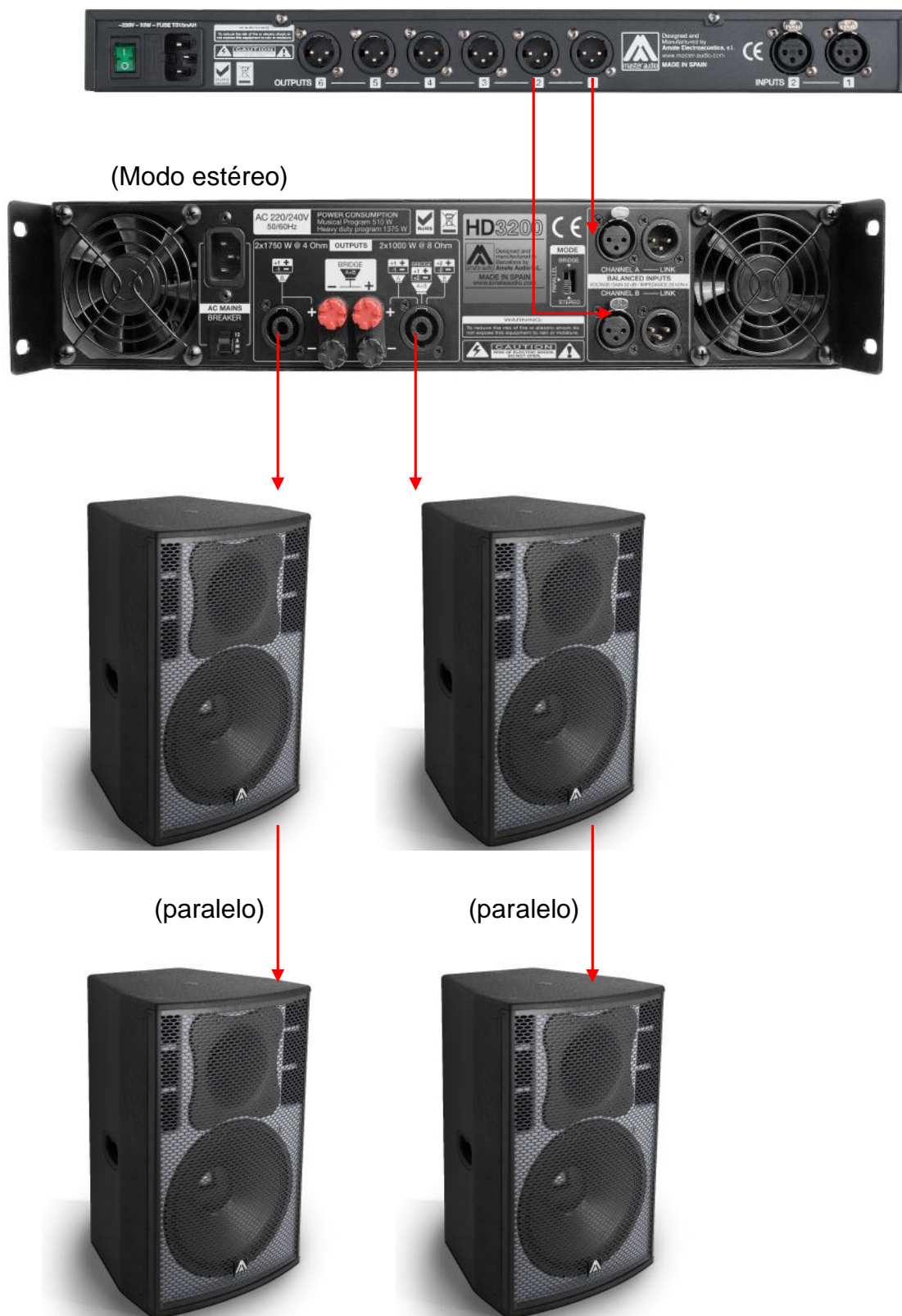


Fig.27. Conexión Full-range en paralelo

8.3. Configuración Bi-Amplificada con Subwoofer

Utilice un amplificador para las bajas frecuencias y conecte los recintos Full-Range a un segundo amplificador.

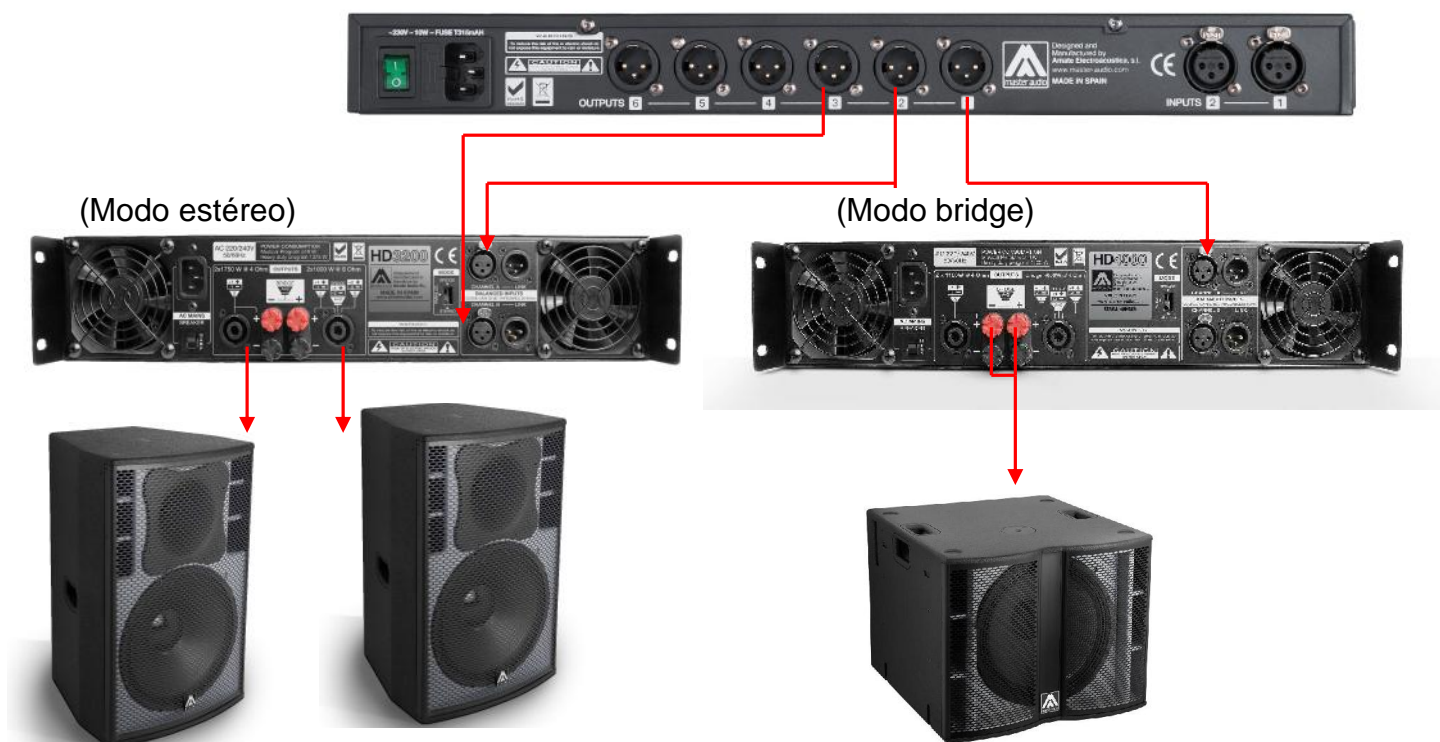


Fig.28. Configuración Bi-amplificada con subwoofer (X18D)



Fig.29. Configuración Bi-amplificada con subwoofer (X218D)

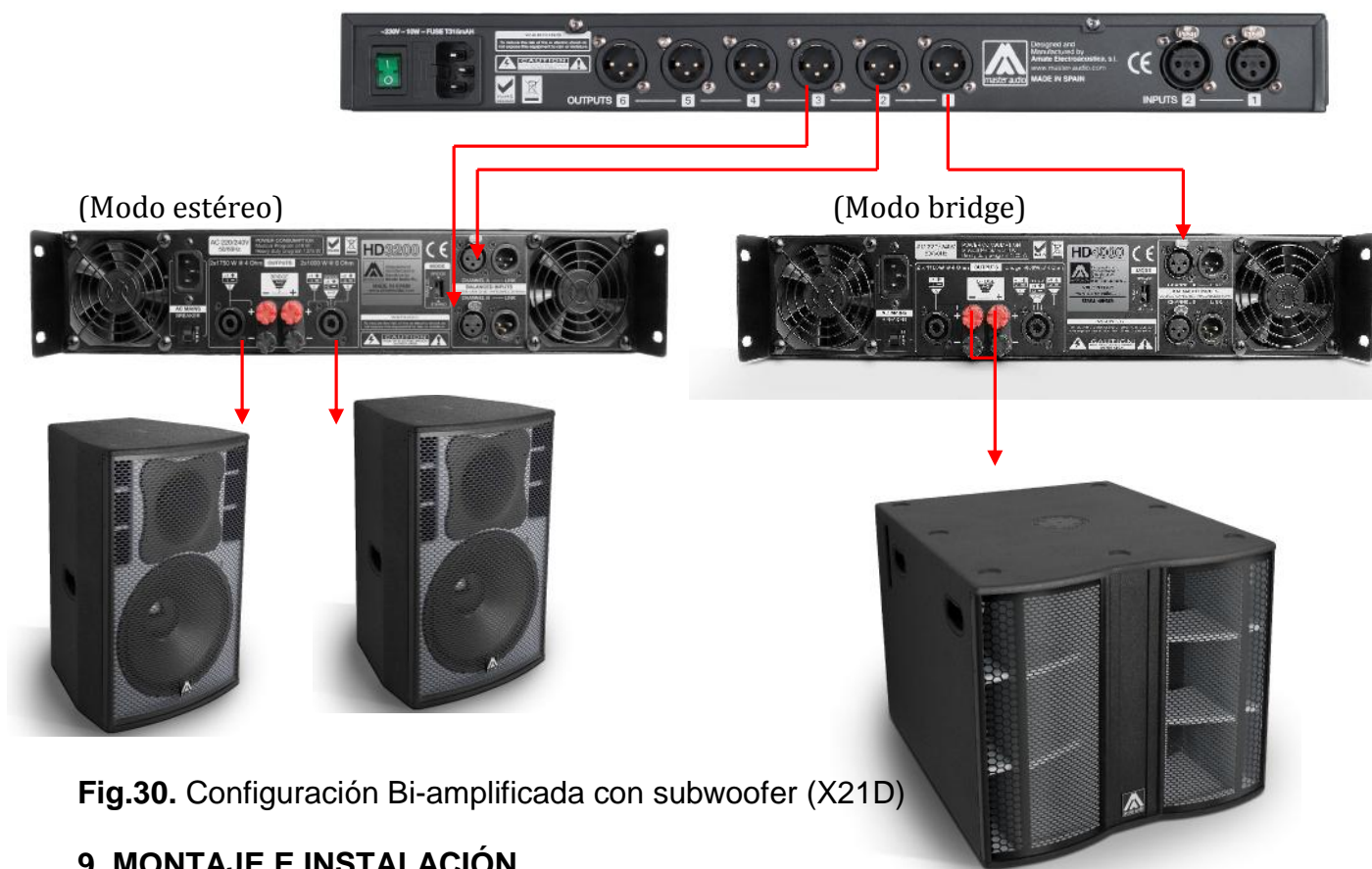
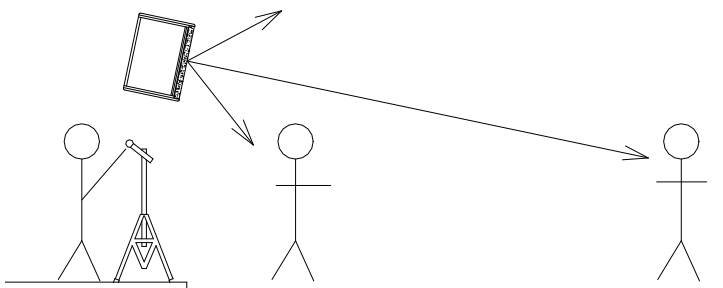


Fig.30. Configuración Bi-amplificada con subwoofer (X21D)

9. MONTAJE E INSTALACIÓN



Siempre que sea posible, coloque las unidades Full Range en posición elevada (entre dos y tres metros del suelo), inclinadas hacia la audiencia. Si las cajas se colocan a una altura cercana al suelo los oyentes de las últimas filas recibirán un sonido de baja calidad.

Fig.31. Orientación de recintos full range de la serie Xcellence

Los modelos X15D incorporan en su parte inferior un vaso para trípode estándar de 35mm.

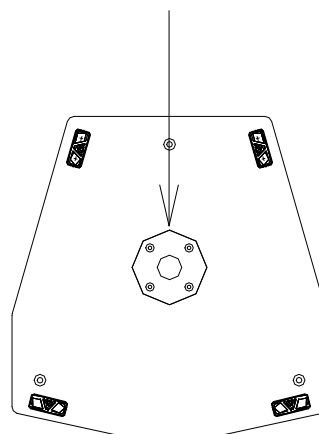


Fig.32. Base para trípode (X15D)

No utilice el trípode en superficies con pendiente ni coloque la caja demasiado alta, pues el sistema puede ser totalmente inestable.

El subwoofer X18D incorpora en su parte superior una base M20 para roscar una barra estándar de diámetro 35mm.

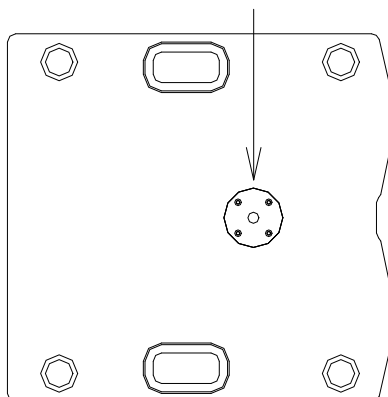


Fig.33. Base para barra (X18D)

Los subwoofers X218D y X21D incorporan en su parte superior una base M10 para poder adaptar las estructuras de stacking FR-X210 o FR-X208.

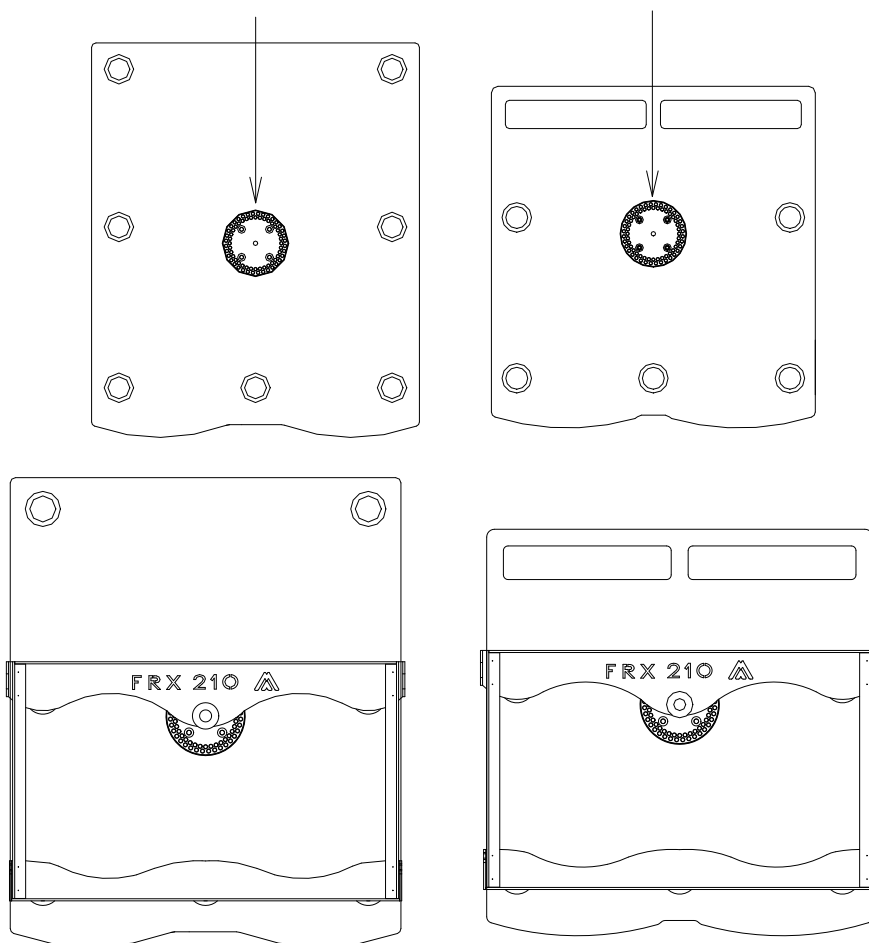


Fig.34. Base para estructura de stacking (X218D / X21D)

El logotipo de la marca puede girarse en caso de utilización de la caja en posición horizontal (X15D).

10. ACCESORIOS DE COLGADO (X15D)

10.1. UB-L

El UB-L es un accesorio opcional para el colgado en pared (horizontal). Para más información lea detenidamente el “Manual de usuario UB-L”.

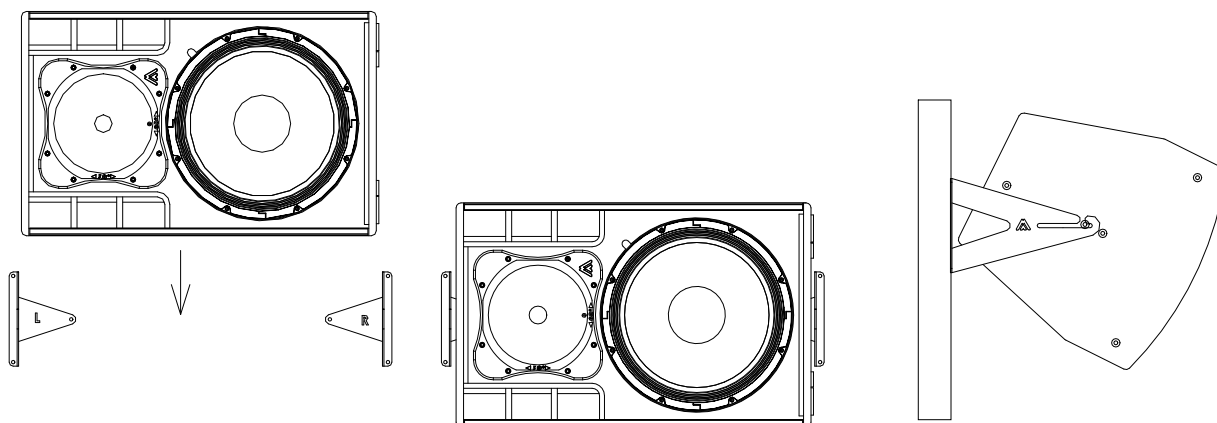


Fig.35. UB-L con X15D

10.2. HR-L y HR-L/GT

El HR-L y el HR-L/GT son accesorios opcionales para el colgado en columna fija o truss respectivamente (orientación vertical). Para más información lea detenidamente los “Manuales de usuario HR-L y HR-L/GT”.

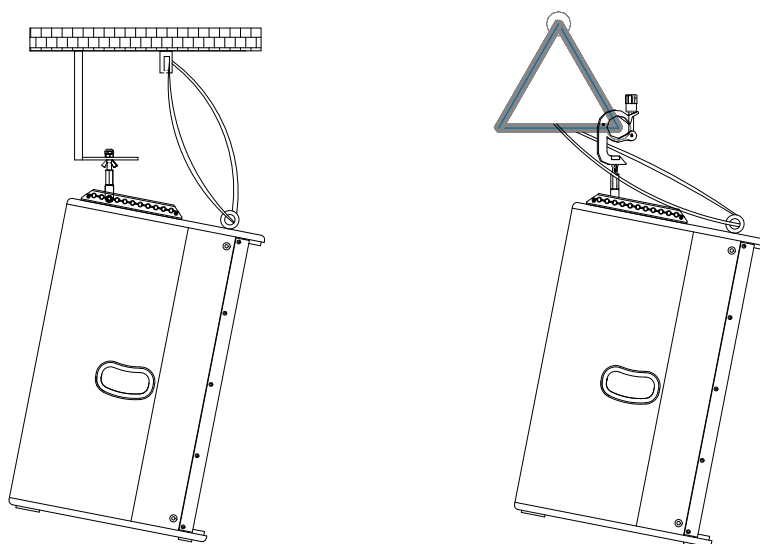


Fig.36. HR-L y HR-L/GT con X15D

10.3. ACRM8

La X15D incorpora puntos de suspensión M8. Su correcta combinación permite el volado de las cajas tanto en posición horizontal como en vertical.

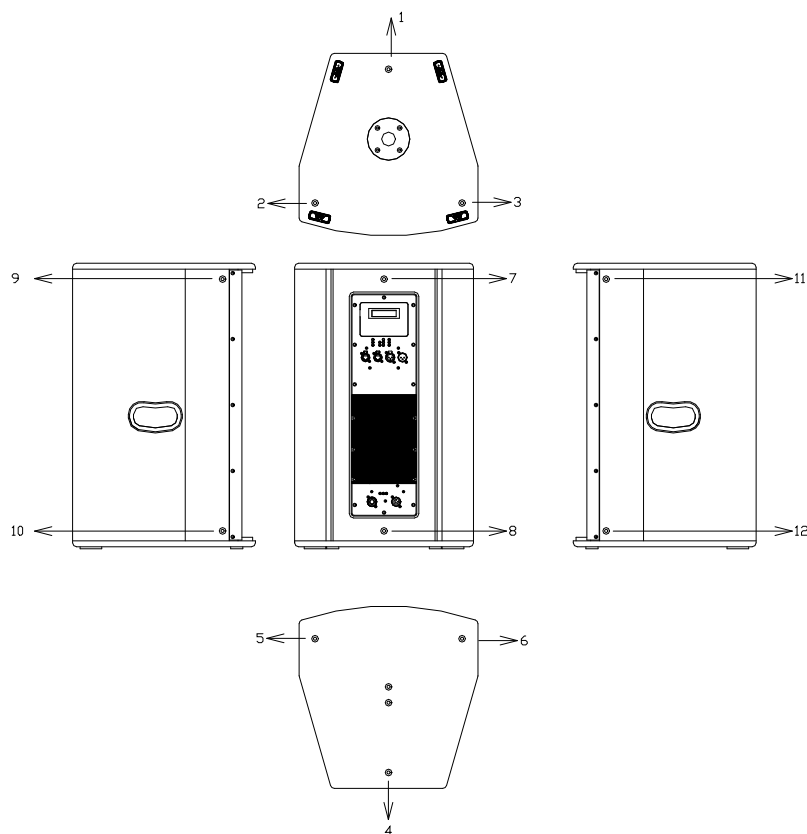


Fig.37. Puntos de suspensión en X15D

	X15D
Volado Horizontal	2&5 o 3&6 o 9&10 o 11&12 (puntos volado frontales) 1&4 o 7&8 (puntos traseros para dar inclinación)
Volado Vertical	2&3 o 5&6 o 9&11 o 10&12 (puntos volado frontales) 1 o 4 o 7 o 8 (puntos traseros para dar inclinación)

10.4. SP35

Los recintos X15D pueden acoplarse al accesorio SP35 y permiten el volado en pared (posición vertical con inclinación hacia la audiencia).

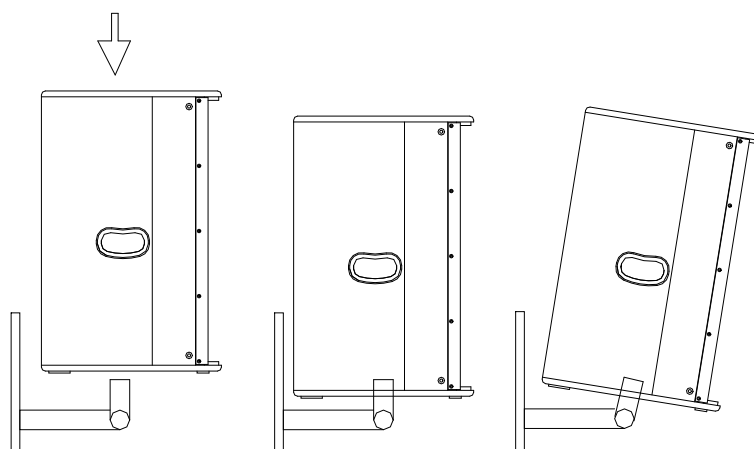


Fig.38. SP35 con X15D

11. CARACTERÍSTICAS TÉCNICAS

	X15D	X18D
Impedancia	8Ω	4Ω
Sensibilidad (1W/1m)	99 dB	98 dB
Respuesta frecuencia (-10dB)	44Hz-19kHz	32Hz-150Hz
Potencia programa	2000W	3200W
Directividad	60° x 50°	Omnidireccional
Componentes		
LF	1 x 15" woofer neodimio	1 x 18" woofer neodimio
HF	1 x 2,5" motor neodimio, diafragma titanio	
Recinto		
Tipo	Bass-reflex	
Altura	720 mm	540 mm
Anchura	450 mm	664 mm
Profundidad	460 mm	700 mm
Peso (neto)	29,1 Kg	40,9 Kg
Conectores	2 x Speakon (In/Link)	1 x Speakon (In)
Material	Tablero multicapa abedul, reja frontal acero	
Acabado	Pintura de alta resistencia Polyurea	

	X218D	X21D
Impedancia	4Ω	
Sensibilidad (1W/1m)	101 dB	98 dB
Respuesta frecuencia (-10dB)	28Hz-150Hz	28Hz-140Hz
Potencia programa	6800W	3600W
Directividad	omnidireccional	omnidireccional
Componentes		
LF	2 x 18" woofers neodimio	1 x 21" woofer neodimio
Recinto		
Tipo	Bass-reflex	Band-pass
Altura	1046 mm	668 mm
Anchura	740mm	749 mm
Profundidad	780 mm	900 mm
Peso (neto)	99,5 Kg	72,9 Kg
Conectores	1 x Speakon (In)	
Material	Tablero multicapa abedul, reja frontal acero	
Acabado	Pintura de alta resistencia Polyurea	