



ASYMMETRICAL  
DISPERSION  
HORN



VERSATILE FoH PA  
& STAGE MONITOR  
SYSTEM



DEDICATED CONTROL  
PRESETS with external  
Amate Audio DSP  
processors & processing  
amplifiers



HIGH RESISTANCE  
POLYUREA®  
PAINT



ACCESSORIES  
FOR EASY  
INSTALLATION

The perfect compromise for any application. Main PA or stage monitoring. Superb vocal articulation and crystal clear high frequencies in a 700W cabinet give N12P7 an optimum balance in its class.

## KEY FEATURES

### TRANSDUCER TECHNOLOGY

Two-way full range passive speaker system composed by one direct radiating 2.5-inch voice coil, 12" loudspeaker and one 1.4-inch voice coil diameter, PETP diaphragm compression driver loaded to an asymmetrical rotational horn (50° to 100° x 55° dispersion).

### POWER & CONTROL

700W continuous musical program power handling.

An accurate internal passive crossover achieves optimum performance with high levels of protection for the high frequency driver.

Connectors are mounted on an inclined plane effectively protecting them against rain or moisture.

Double Speakon NL4MPR® (input & link).

Dedicated control presets available with Amate Audio LMS series DSP processors and TPD series processing amplifiers.

### DESIGN & ACCESSORIES

Ergonomic handles for an easy handling.

Trapezoidal shape for PA or stage monitor application.

Exclusive 2mm black mesh speaker grille with optimum perforation gradient and attractive appearance.

Multilayer birch plywood cabinet with Polyurea® coating, offering maximum reliability and strength for touring as well as for high demanding applications.

M8 rigging points for easy flying.

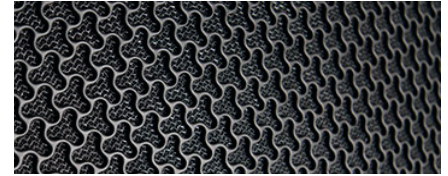
35mm diameter pole mount socket mounted on the bottom side, for a standard tripod.

Protective rubber profiles.

## TECHNICAL FEATURES

Power (musical program)	700 W
Power (r.m.s)	350 W
Nominal Impedance	8 $\Omega$
SPL(1W/1m)	98 dB
Maximum SPL (continuous/1m)	127 dB
Maximum SPL (peak/1m)	130 dB
Crossover frequency	2k Hz
Frequency Response (-10dB)	52 Hz – 19 kHz
Components	LF - MF HF
	12" woofer (2.5" voice coil) 1,4" PETP diaphragm compression driver
Directivity (-6dB)	50° to 100° x 55°
Directivity factor (Q)	12.6
Directivity Index (DI)	11 dB
Weight	19.2 kg
Finish	Multilayer birch plywood with high resistant black Polyurea® coating and protective rubber profiles
Dimensions (H x W x D)	623 x 360 x 390 mm
Grille	2 mm powder coated steel with black acoustic mesh
Rigging	M8 points
Connectors	1x Speakon NL4MPR input / 1x Speakon NL4MPR link

## DISCOVER NÍTiD



## UNIQUE DESIGN

Distinguishing details include the speaker grille, exclusively designed for an attractive appearance, maximum protection, and with **the best perforation coefficient in the market, for improved sound quality**. The Polyurea® finish offers durable protection for the birch-ply cabinet. A wide range of accessories is provided for whatever your application is.



## THE PERFECT BALANCE

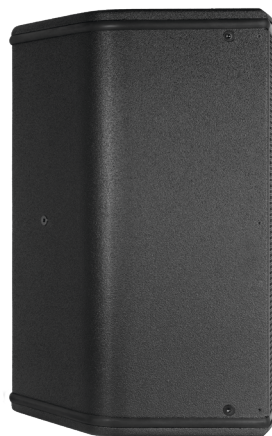
NÍTiD series is the culmination of an intensive program of research, development and optimization, to achieve the greatest possible power and performance from the most compact sized cabinet. Every aspect of its form factor has resulted from examination and consideration of optimum acoustic response, ergonomics, construction and appearance.



TOP VIEW



BOTTOM VIEW



SIDE VIEW

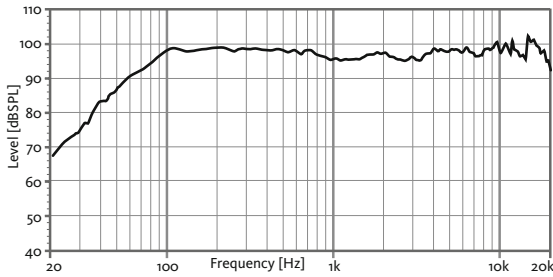


FRONT VIEW

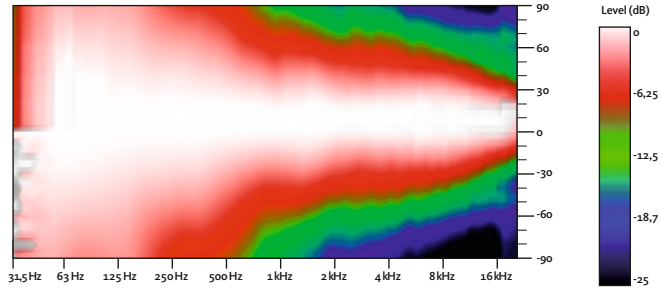


REAR VIEW

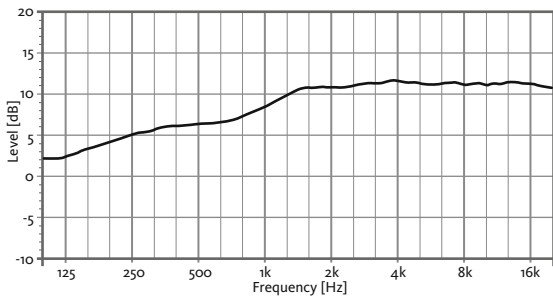
### FREQUENCY RESPONSE 1W/1m



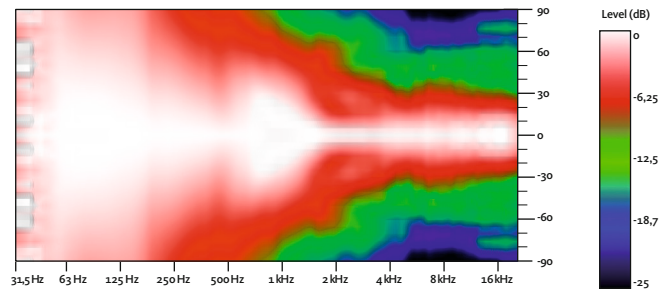
### HORIZONTAL COVERAGE



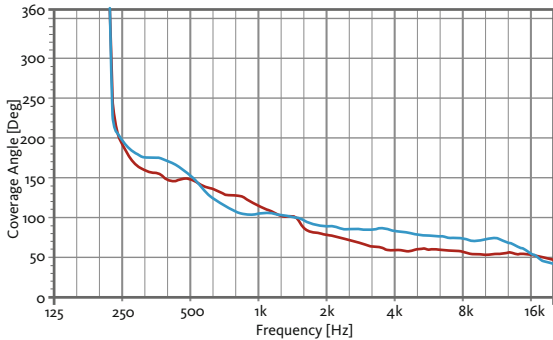
### DIRECTIVITY INDEX (DI)



### VERTICAL COVERAGE

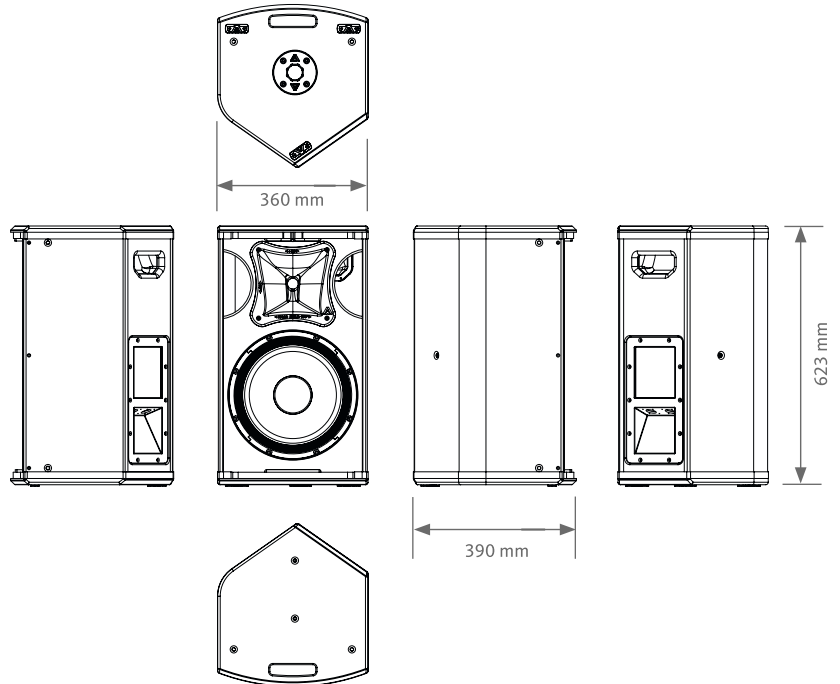


### HORIZONTAL & VERTICAL BEAMWIDTH (-6dB point)

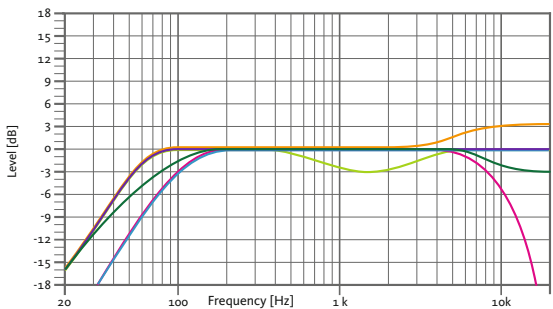


HORIZONTAL VERTICAL

### CAD DRAWING SCHEME



### RECOMMENDED PRESETS with external Amate Audio DSP



**FLAT**

Flat response

**NEARFIELD**

-3 dB mid frequencies (400 Hz – 4 kHz)

**LONGTHROW**

+3 dB high frequencies

**SPEECH**

HPF 100 Hz

LPF 8 kHz

**MONITOR**

Stage monitor use

**XOVER**

HPF 100 Hz

# N12P7

12" TWO-WAY PASSIVE FULL-RANGE SPEAKER SYSTEM

# NÍTiD



## ACCESSORIES

### FLIGHT CASE

FC-N12  
for two units of N12P7



### WALL MOUNT BRACKET

UB-L



### WALL-MOUNT BRACKET

SP-WHR



### FLYING BAR

RB-S



### M8 RIGGING EYEBOLT

ACR-M8



### TELESCOPIC DISTANCE ROD

SP-CRTL

ø: 35 mm  
Length: 55 cm ~ 90 cm  
Thread: M20



### FLYING BAR WITH HOOK

RB-S/GT



### SAFETY SLING

SC-15



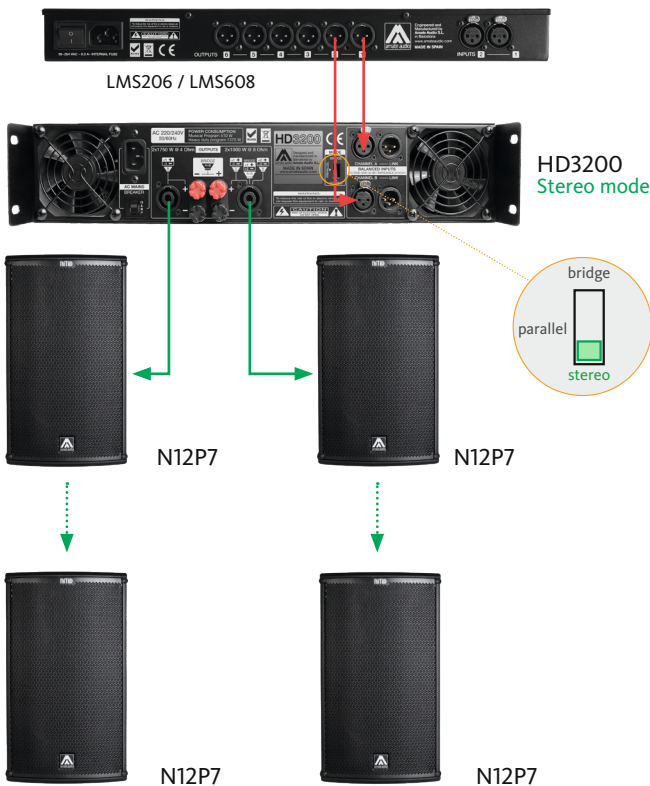
## RECOMMENDED CONFIGURATION

### FOR N12P7 (2 units)

Connect each cabinet output of the amplifier LEFT/RIGHT to each cabinet using two independent wires.

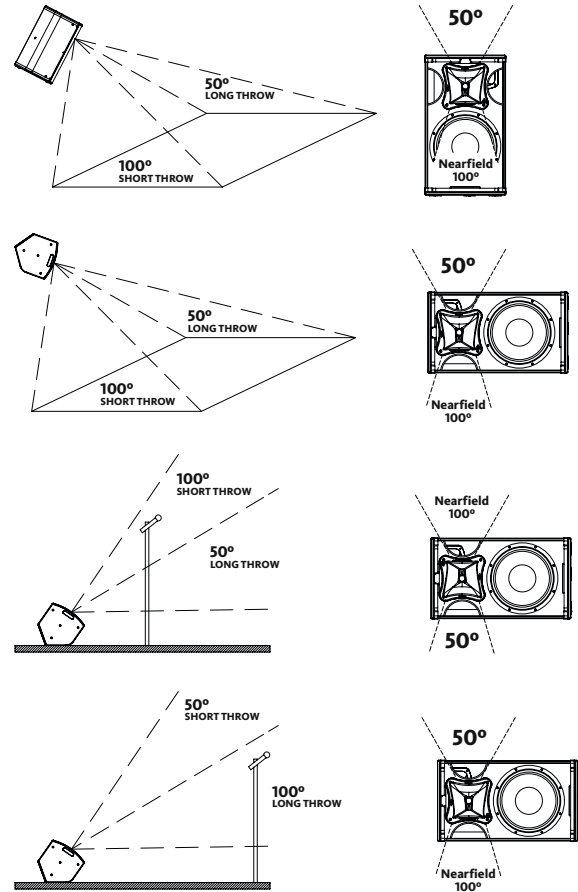
### FOR N12P7 (4 units)

Connect the amplifier's output to the Speakon's input of the first cabinet. Then, make a bridge from the first cabinet to the second one. This configuration allows you to connect up to four cabinets to the same amplifier.

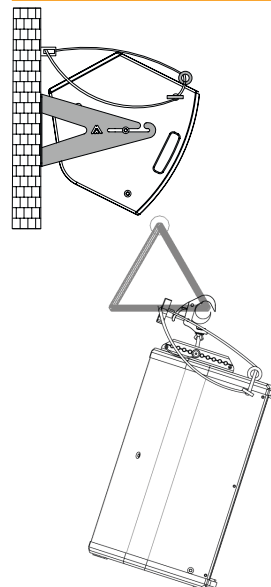


## ASYMMETRICAL DISPERSION HORN

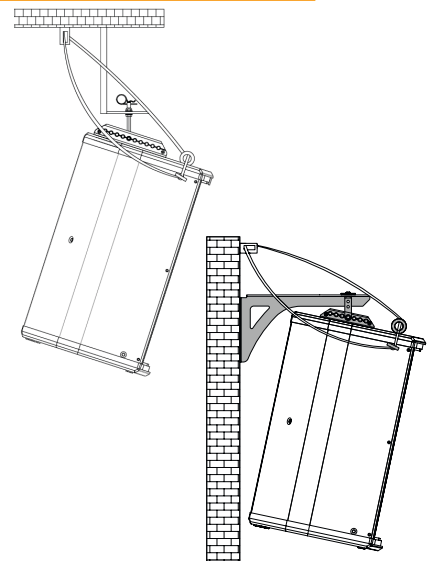
It allows to optimize the coverage depending on its position.



### HORIZONTAL WALL-MOUNT UB-L + SC-15



### VERTICAL COLUMN-MOUNT RB-S + SC-15



### VERTICAL TRUSS-MOUNT RB-S/GT + SC-15

### VERTICAL WALL-MOUNT SP-WHR + SC-15