

## S12P

12" TWO-WAY PASSIVE  
FULL-RANGE SPEAKER SYSTEM

NÍTiD-S

ASYMMETRICAL  
DISPERSION  
HORNVERSATILE FoH PA &  
STAGE MONITORDEDICATED CONTROL  
PRESETS with external Amate  
Audio DSP processors &  
processing amplifiersHIGH RESISTANCE  
POLYUREA® FINISH &  
PROTECTIVE RUBBER PROFILESEASY RIGGING &  
INSTALLATION ACCESSORIES

Compact dual-purpose main PA and stage monitor system, the perfect compromise for any application. Delivering 800W of superb vocal articulation, smooth bass response and crystal clear high frequencies, yet manageable by keeping a compact format, the S12P has a uniquely balanced, powerful sonic performance in this product class.

## KEY FEATURES

## TRANSDUCER TECHNOLOGY

Two-way full range passive loudspeaker system comprising a direct radiating 3-inch voice coil, 12" loudspeaker and one 1.4-inch voice coil diameter, polyester diaphragm compression driver loaded to an asymmetrical rotational horn (50° to 100° x 55° dispersion).

## POWER &amp; CONTROL

800 W continuous musical program power handling.

An accurate internal passive crossover achieves optimum performance with high levels of protection for the high frequency driver.

Connectors mounted on an inclined recessed moulded connector plate for improved security and environmental protection.

Double Speakon NL4MP® (input & link).

Dedicated control presets available with Amate Audio LMS series DSP processors and TPD series processing amplifiers.

## DESIGN &amp; ACCESSORIES

Recessed ergonomic carry handle for easy handling.

Asymmetric trapezoidal form for PA or floor monitor application.

Exclusive 1.5mm black mesh speaker grille with optimum perforation gradient and attractive appearance.

Multilayer birch plywood cabinet with Polyurea® coating and protective rubber profiles, providing maximum robustness and strength for touring, events production, venue installation and other highly demanding applications.

M8 rigging points for easy flying.

35mm diameter pole mount socket mounted on the bottom side, for a standard tripod.

NÍTID

# S12P

12" TWO-WAY PASSIVE  
FULL-RANGE SPEAKER SYSTEM

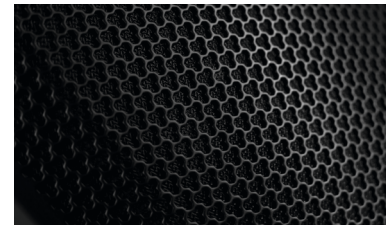
# NÍTID-S



## TECHNICAL FEATURES

Power (musical program)	800 W				
Power (r.m.s)	400 W				
Nominal Impedance	8Ω				
SPL(1W/1m)	98 dB				
Maximum SPL(continuous/1m)	127 dB				
Maximum SPL(peak/1m)	130 dB				
Crossover frequency	1k6 Hz				
Frequency Response (-10dB)	53 Hz – 19 kHz				
Components	<table border="0"> <tr> <td>LF - MF</td> <td>12" woofer (3" voice coil)</td> </tr> <tr> <td>HF</td> <td>1.4" polyester diaphragm compression driver</td> </tr> </table>	LF - MF	12" woofer (3" voice coil)	HF	1.4" polyester diaphragm compression driver
LF - MF	12" woofer (3" voice coil)				
HF	1.4" polyester diaphragm compression driver				
Directivity (-6dB)	50° to 100° x 55°				
Directivity factor (Q)	12.6				
Directivity Index (DI)	11 dB				
Weight	21.7 Kg				
Finish	Multilayer birch plywood with high resistant black Polyurea® coating and protective rubber profiles				
Dimensions (H x W x D)	623 x 363 x 398 mm				
Grille	1.5 mm powder coated steel with black acoustic mesh				
Rigging	M8 points				
Connectors	1x Speakon NL4MP input / 1x Speakon NL4MP link				

## DISCOVER NÍTID



### UNIQUE DESIGN

New S-series models build on the success, innovation and best-in-class performance of the original Nítid designs with improved features including a recessed moulded connector plate, more highly stylised form factor and improved robustness of the world's most acoustically transparent pro-audio speaker grille.



### THE PERFECT BALANCE

An ongoing programme of research and development ensures that Nítid series loudspeakers continue to achieve the highest levels of output and performance from the most compact sized designs, in an unrivalled synthesis of engineering and aesthetic form.



TOP VIEW



BOTTOM VIEW



SIDE VIEW



FRONT VIEW



REAR VIEW

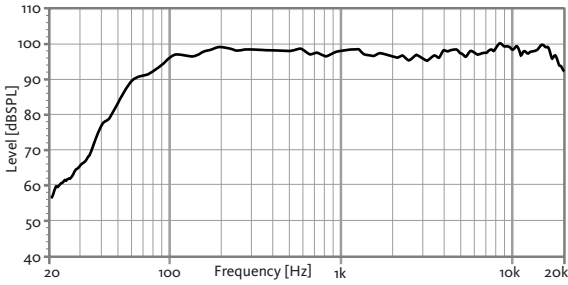
# S12P

12" TWO-WAY PASSIVE FULL-RANGE SPEAKER SYSTEM

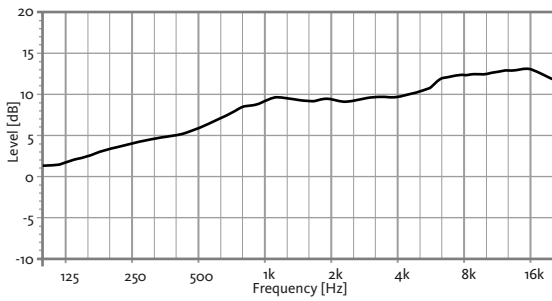
# NÍTID-S



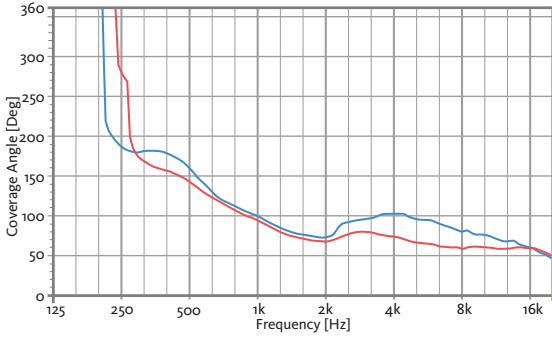
## FREQUENCY RESPONSE 1W/1m



## DIRECTIVITY INDEX (DI)

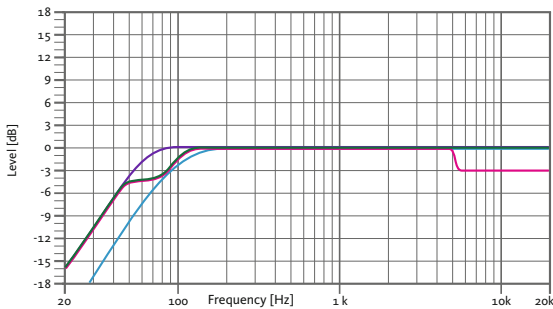


## HORIZONTAL & VERTICAL BEAMWIDTH (-6dB point)



HORIZONTAL VERTICAL

## RECOMMENDED PRESETS with external Amate Audio DSP



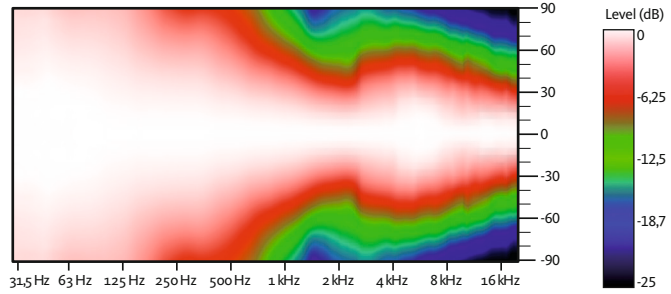
**FLAT**  
Flat response

**SPEECH**  
Vocal use

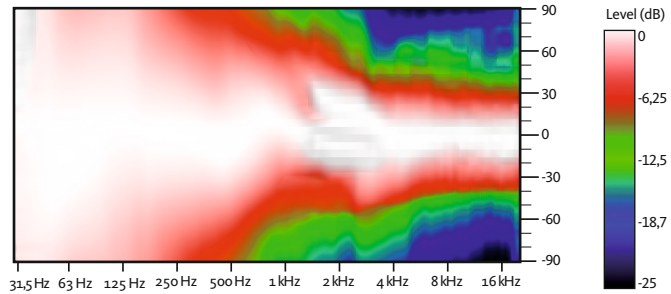
**HPF90**  
HPF 90 Hz

**MONITOR**  
Stage monitor use

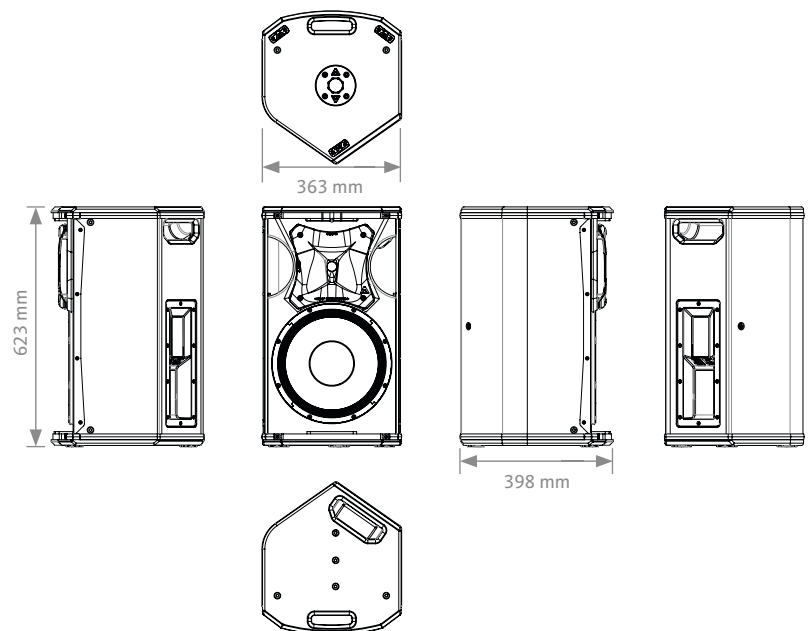
## HORIZONTAL COVERAGE



## VERTICAL COVERAGE



## CAD DRAWING SCHEME



# S12P

12" TWO-WAY PASSIVE FULL-RANGE SPEAKER SYSTEM

# NÍTID-S



## ACCESSORIES

### WALL MOUNT BRACKET

UB-L



### WALL-MOUNT BRACKET

SP-WHR



### FLYING BAR

RB-L



### FLYING BAR WITH HOOK

RB-L/GT



### SAFETY SLING

SC-15



### M8 RIGGING EYEBOLT

ACR-M8



### FLIGHT CASE

FC-S12

for two units of S12P



### TELESCOPIC DISTANCE ROD

SP-CRTL

ø: 35 mm  
Length: 55 cm ~ 90 cm  
Thread: M20



### PROTECTION COVER

NC-S12



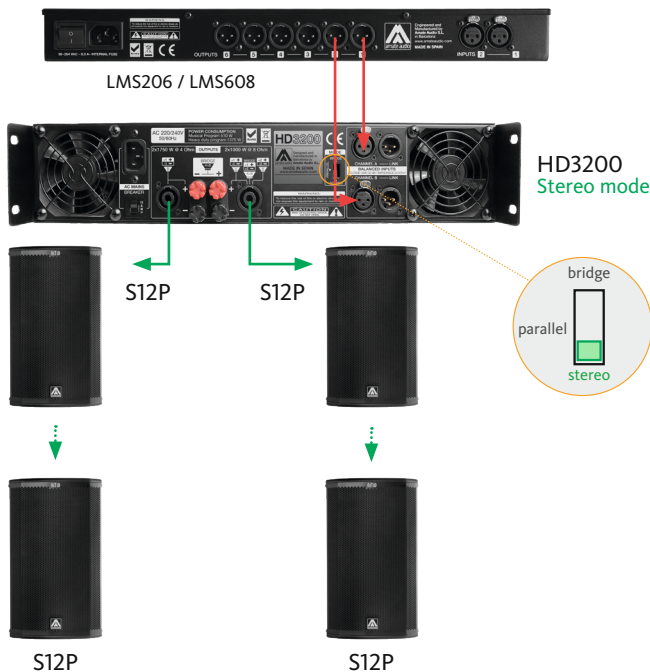
## RECOMMENDED CONFIGURATION

### FOR S12P (2 units)

Connect each cabinet output of the amplifier LEFT/RIGHT to each cabinet using two independent wires

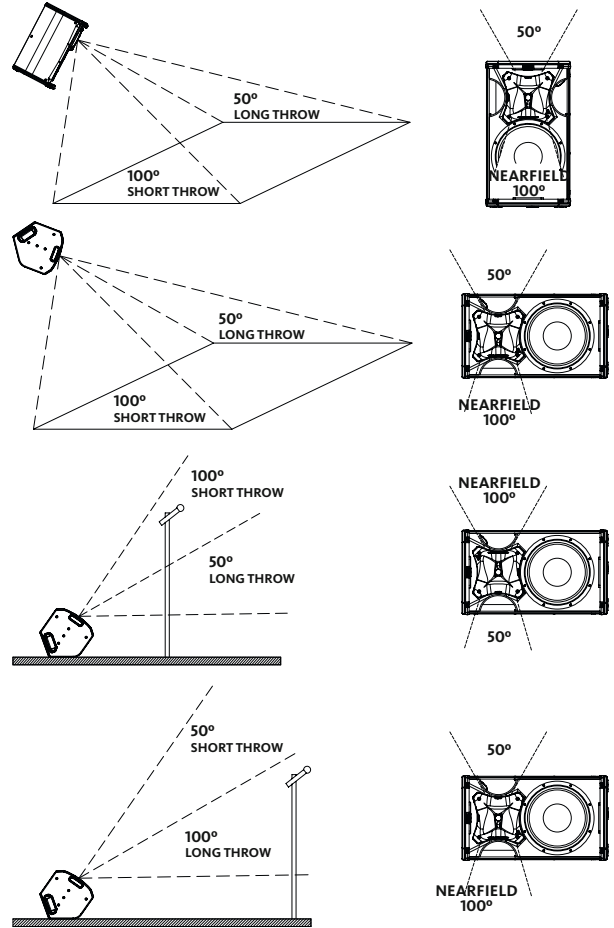
### FOR S12P (4 units)

Connect the amplifier's output to the Speaker's input of the first cabinet. Then, make a bridge from the first cabinet to the second one. This configuration allows you to connect up to four cabinets to the same amplifier.



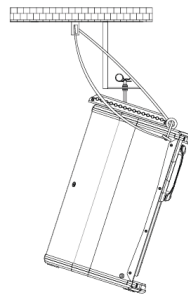
## ASYMMETRICAL DISPERSION HORN

It allows to optimize the coverage depending on its position.



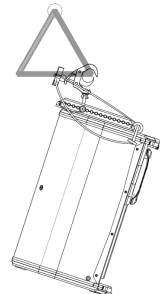
### VERTICAL COLUMN-MOUNT

RB-L + SC-15



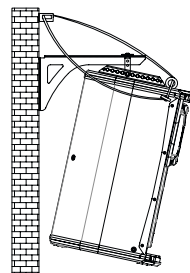
### VERTICAL TRUSS-MOUNT

RB-L/GT + SC-15



### VERTICAL WALL-MOUNT

SP-WHR + SC-15



### HORIZONTAL WALL-MOUNT

UB-L + SC-15

